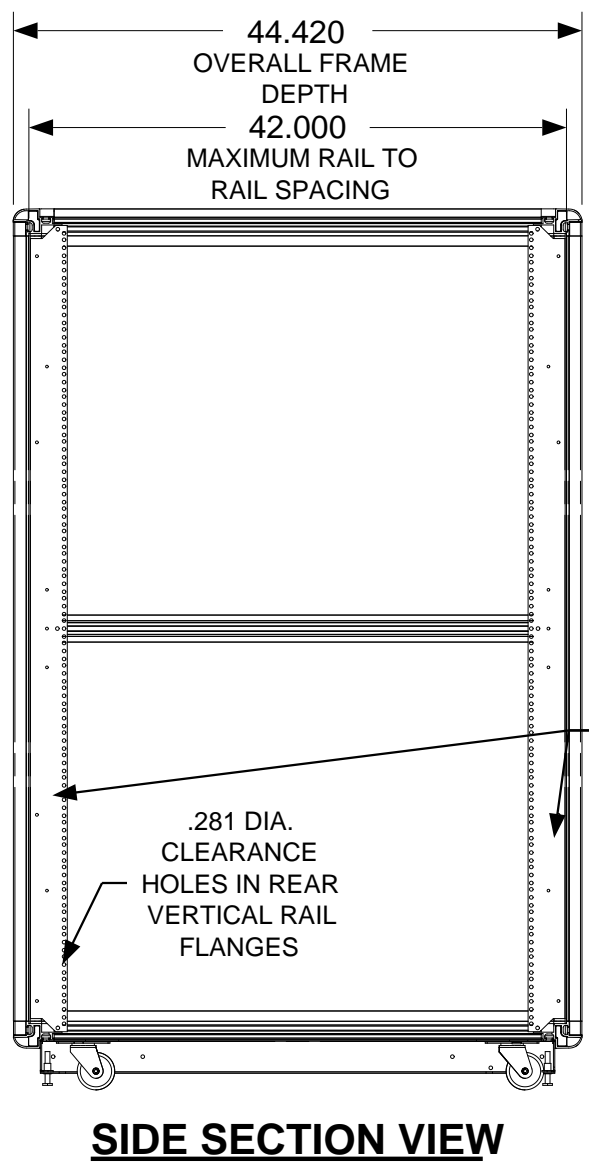
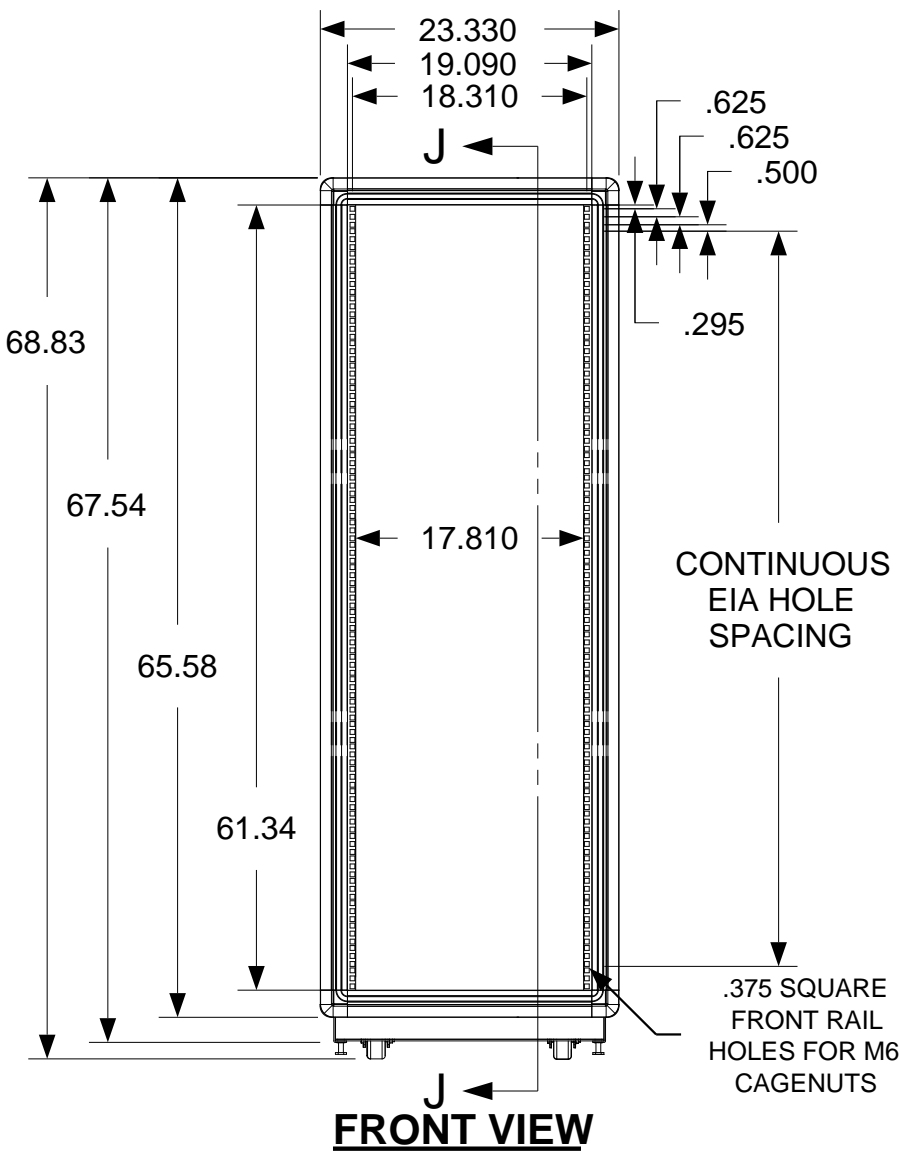
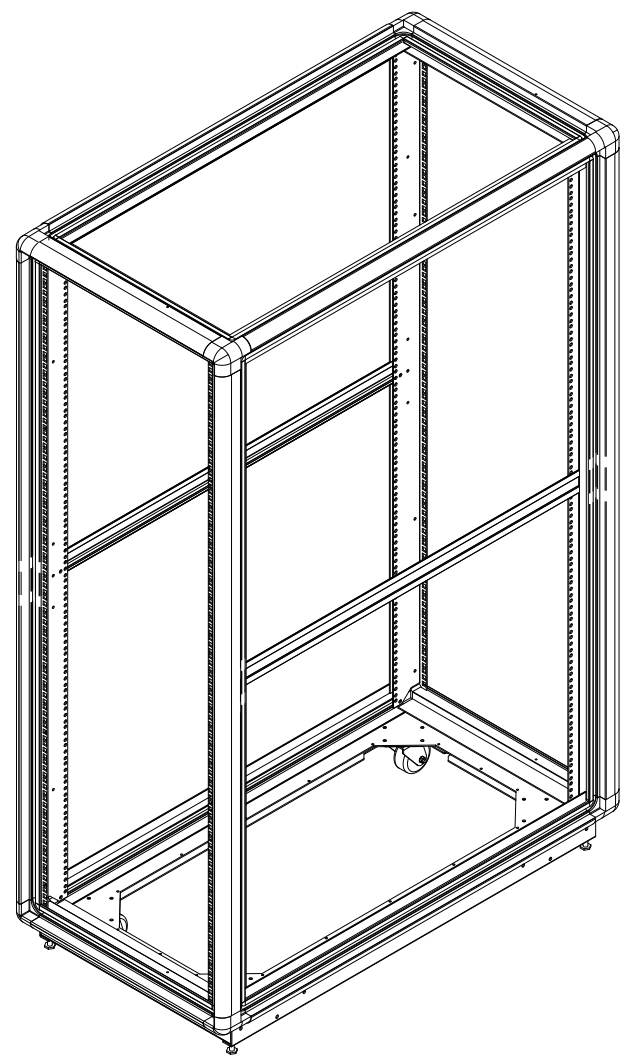
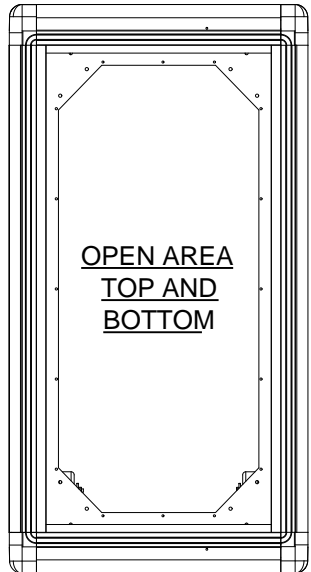


|   |             |      |                  |  |  |
|---|-------------|------|------------------|--|--|
| These drawings and specifications are the exclusive property of Martin International Enclosures, Inc. and shall not be copied, reproduced or used for any purpose at all without prior written permission of Martin International Enclosures, Inc. (MIE) except to manufacture for MIE, Inc. the items on the drawings. These drawings are issued in strict confidence. |             |      | REVISION HISTORY |  |  |
| REV   | DESCRIPTION | DATE | APPROVED         |  |  |
|   |             |      |                  |  |  |



FULLY ADJUSTABLE  
VERTICAL  
MOUNTING RAILS  
(2 PAIR)

| ITEM   | PART NUMBER | DESCRIPTION  | QTY                  |
|--|-------------|--|----------------------|
| MATERIAL   |             |  | PART NAME            |
| TOLERANCES EXCEPT AS NOTED<br>DECIMAL<br>.XX = +/- .020<br>.XXX = +/- .010<br>ANGULAR<br>+/- 1/2 DEG |             |  |                      |
| DRAWN BY: BMT  |             | 35U X 42" DEEP; 19" RACKMOUNT<br>EXTRUDED ALUMINUM FRAME | REV                  |
| SETBACK=   | DATE        | DATE<br>2-2-16   | PART #<br>611942-2L  |
| PROGRAM#   | DATE        | SCALE = 1/3  | FINISH: A/R SHEET OF |
|  |             |  |                      |

9 8 7 6 5 4 3 2 1

F

E

D

C

B

A

9 8 7 6 5 4 3 2 1