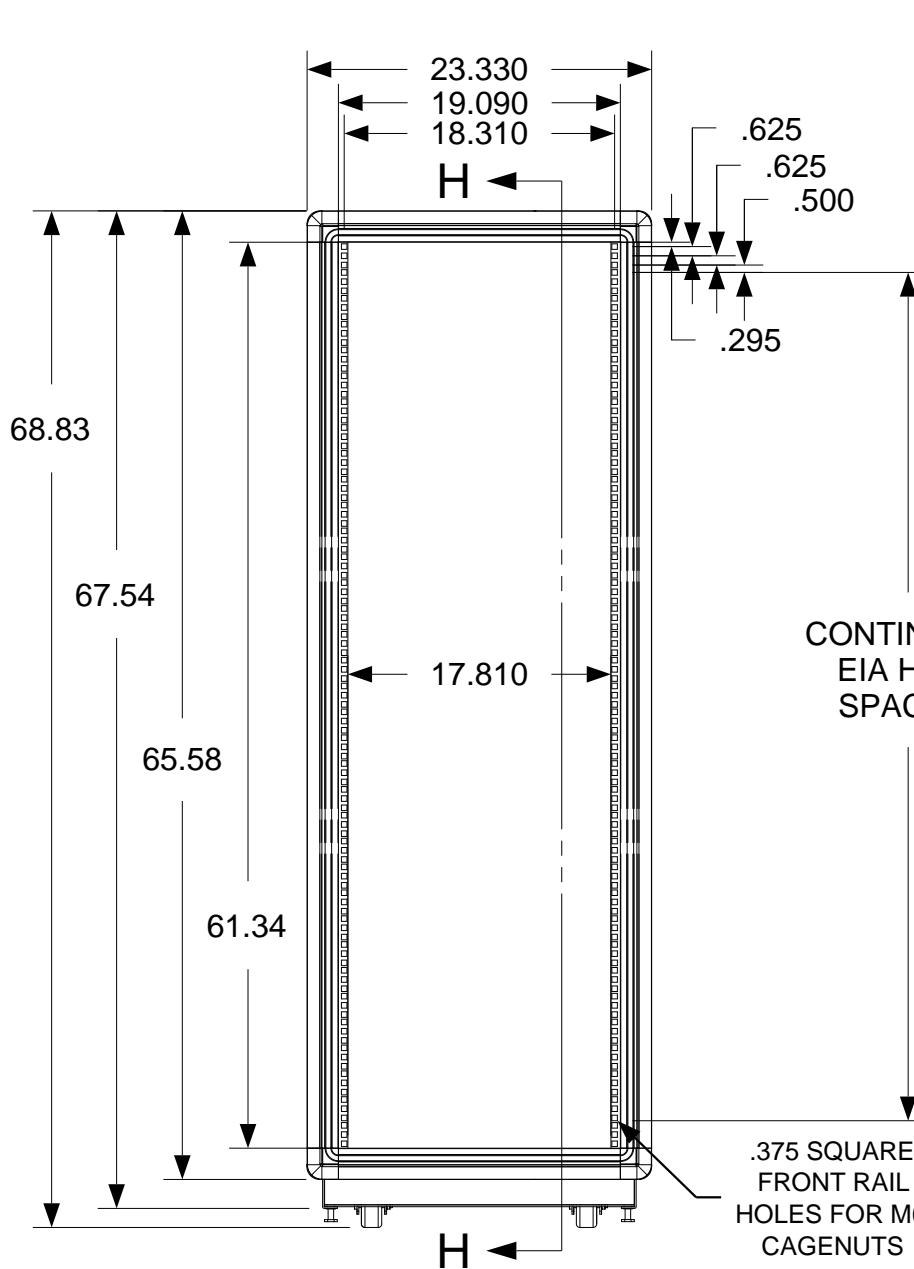
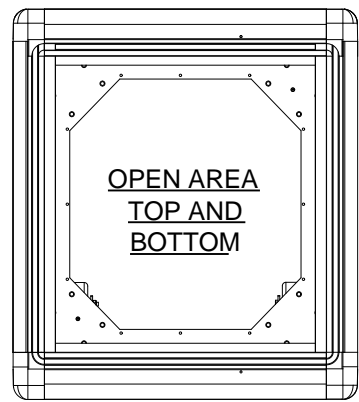
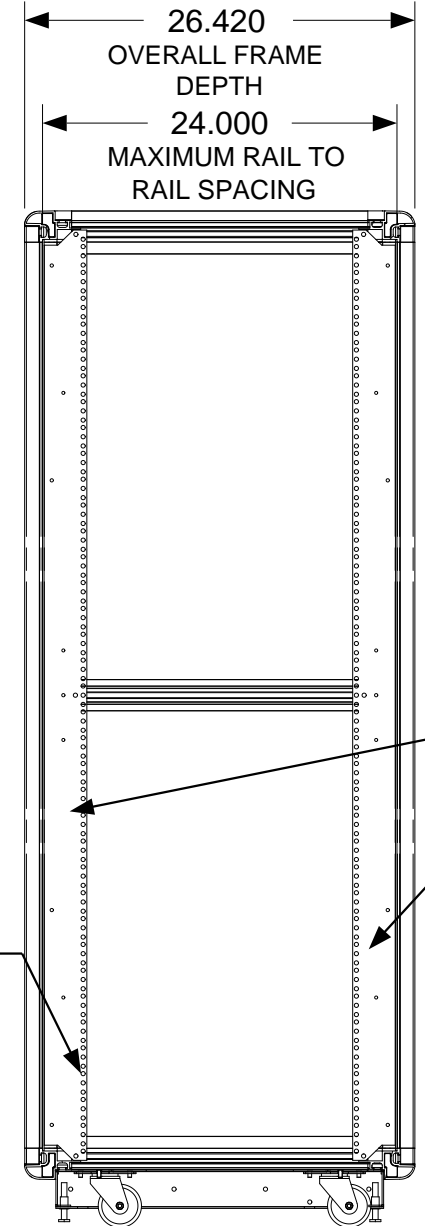


These drawings and specifications are the exclusive property of Martin International Enclosures, Inc. and shall not be copied, reproduced or used for any purpose at all without prior written permission of Martin International Enclosures, Inc. (MIE) except to manufacture for MIE, Inc. the items on the drawings. These drawings are issued in strict confidence.			REVISION HISTORY		
REV	DESCRIPTION	DATE	APPROVED		

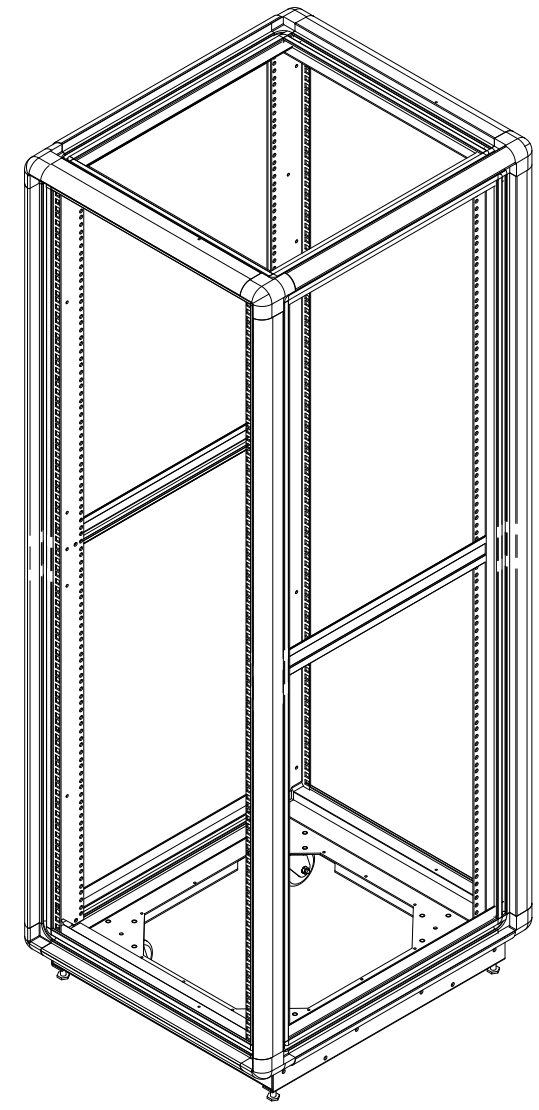


FRONT VIEW



SIDE SECTION VIEW

FULLY
ADJUSTABLE
VERTICAL
MOUNTING RAILS
(2 PAIR)



ITEM	PART NUMBER	DESCRIPTION	QTY
MATERIAL			
TOLERANCES EXCEPT AS NOTED DECIMAL .XX = +/- .020 .XXX = +/- .010 ANGULAR +/- 1/2 DEG			
PART NAME		35U X 24" DEEP; 19" RACKMOUNT EXTRUDED ALUMINUM FRAME	
SIZE	DATE	PART #	REV
B	2-2-16	611924-2L	
DRAWN BY: BMT		SCALE = 1/3	FINISH: A/R SHEET OF
APPROVED BY:			

PROGRAM#	DATE
SETBACK=	DATE

9 8 7 6 5 4 3 2 1

F
E
D
C
B
A

F
E
D
C
B
A

9 8 7 6 5 4 3 2 1