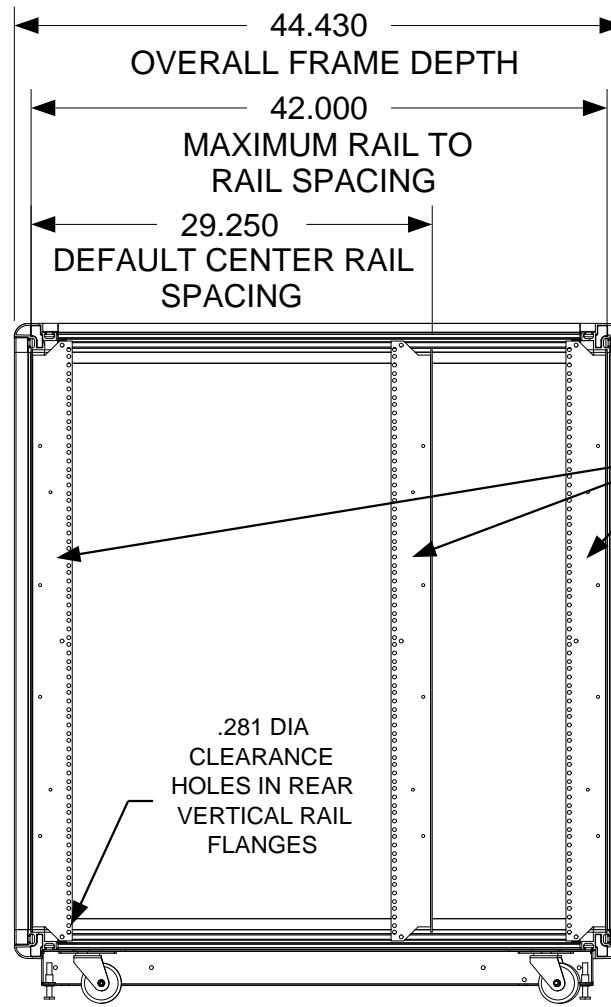
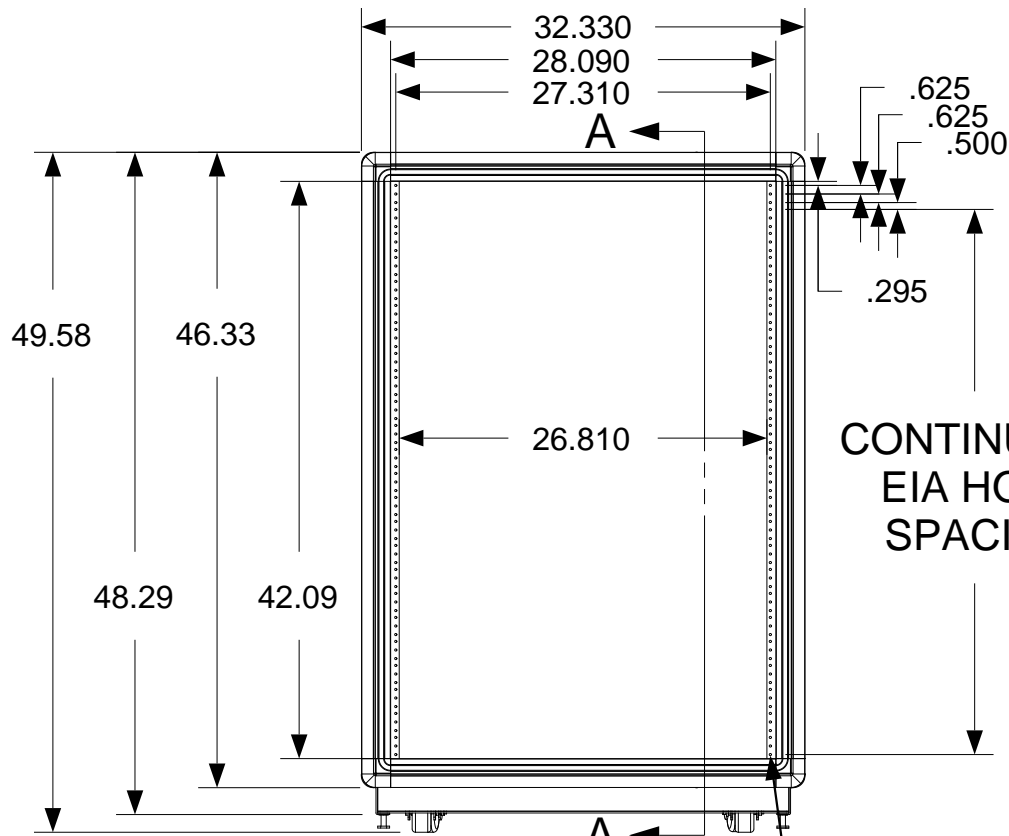
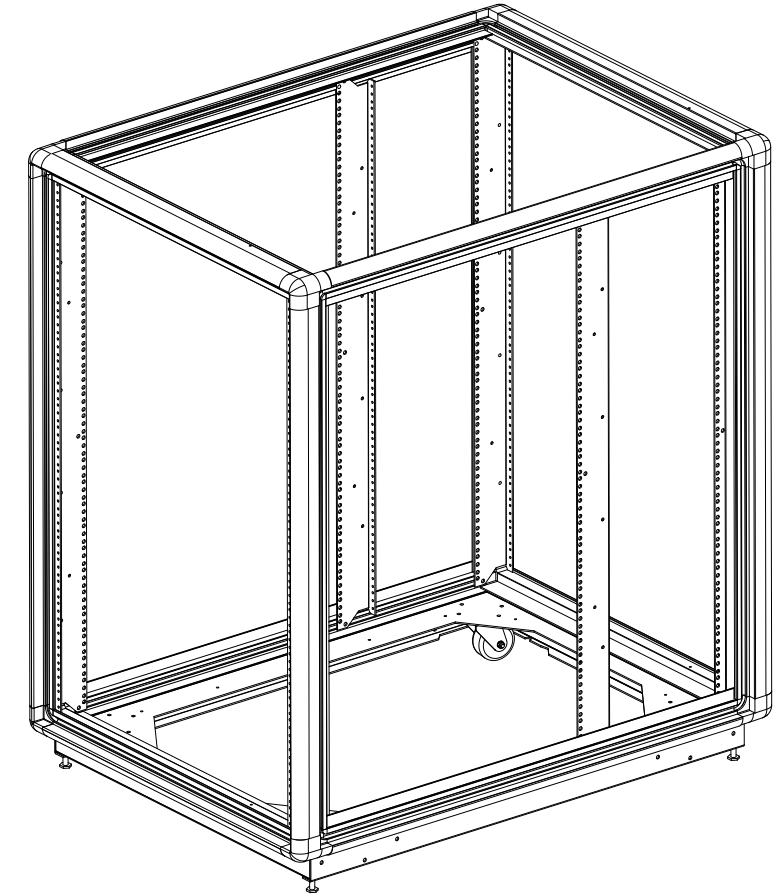
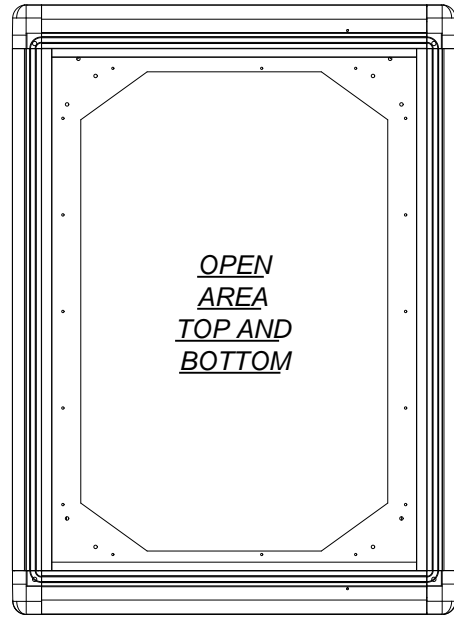


These drawings and specifications are the exclusive property of Martin International Enclosures, Inc. and shall not be copied, reproduced or used for any purpose at all without prior written permission of Martin International Enclosures, Inc. (MIE) except to manufacture for MIE, Inc. the items on the drawings. These drawings are issued in strict confidence.

REVISION HISTORY			
REV	DESCRIPTION	DATE	APPROVED
A	INITIAL RELEASE		



FULLY ADJUSTABLE  
VERTICAL MOUNTING  
RAILS  
(3 PAIR)

**FRONT VIEW**

**SIDE SECTION VIEW**

.172 DIA  
MOUNTING HOLE  
TAPPED 12-24

MATERIAL					
TOLERANCES EXCEPT AS NOTED DECIMAL .X = +/- .060 .XX = +/- .030 .XXX = +/- .010 ANGULAR +/- 1/2 DEG					
PART NAME 24U X 42" DEEP; 28" RACKMOUNT EXTRUDED ALUMINUM FRAME		SIZE B	DATE 5/16/18	PART # 422842-TR12	REV A
PROGRAM#		DRAWN BY: JQ		SCALE = 1/14	
SETBACK=		APPROVED BY:		FINISH: A/R	SHEET 1 OF 1

NEXT UPPER ASSEMBLY: