

These drawings and specifications are the exclusive property of Martin International Enclosures, Inc. and shall not be copied, reproduced or used for any purpose at all without prior written permission of Martin International Enclosures, Inc. (MIE) except to manufacture for MIE, Inc. the items on the drawings. These drawings are issued in strict confidence.

REVISION HISTORY			
REV	DESCRIPTION	DATE	APPROVED
A	INITIAL RELEASE		

F

E

D

C

B

A

F

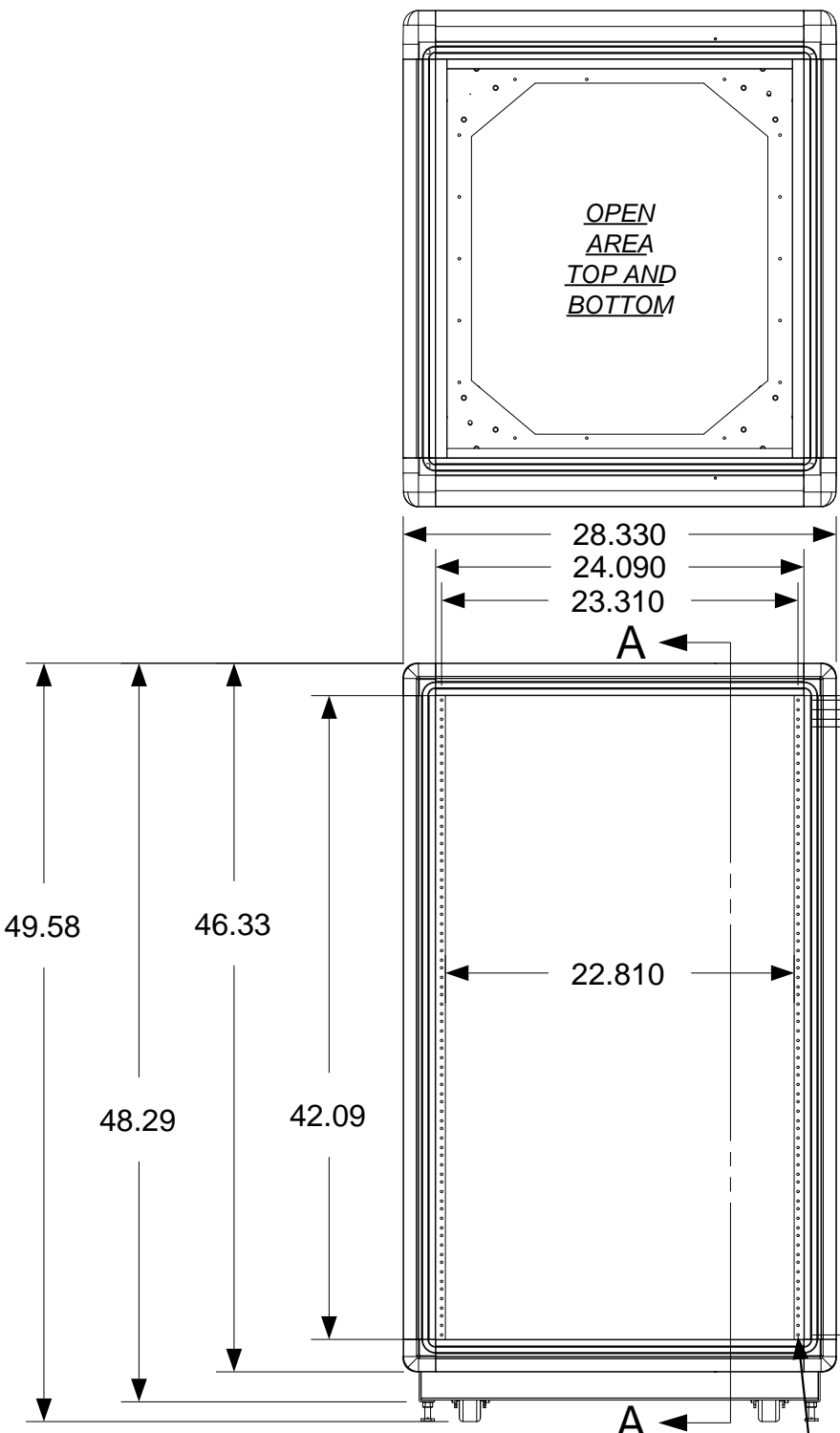
E

D

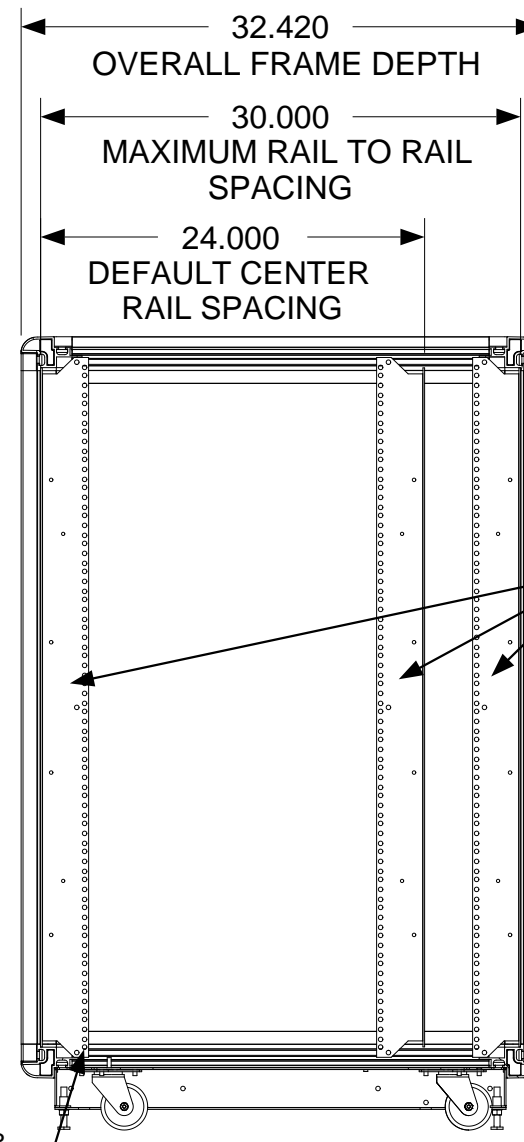
C

B

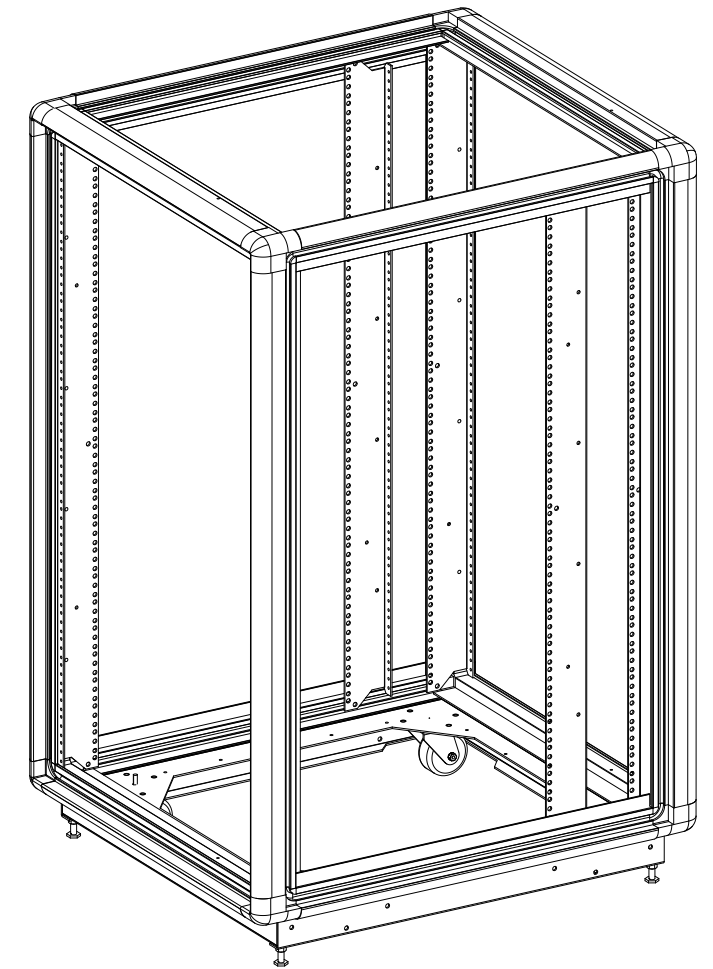
A



FRONT VIEW



SIDE SECTION VIEW



MATERIAL

TOLERANCES EXCEPT AS NOTED

DECIMAL
 .X = +/- .060
 .XX = +/- .030
 .XXX = +/- .010

ANGULAR
 +/- 1/2 DEG

martin
INTERNATIONAL ENCLOSURES, INC.

PART NAME
24U X 30" DEEP; 24" RACKMOUNT EXTRUDED ALUMINUM FRAME

SIZE **B** DATE **3/15/18** PART # **422430-TR10** REV **A**

PROGRAM# DATE

SETBACK= DATE

DRAWN BY: **JQ**

APPROVED BY:

SCALE = 1/12 FINISH: **A/R** SHEET **1 OF 1**

NEXT UPPER ASSEMBLY:

9

8

7

6

5

4

3

2

1