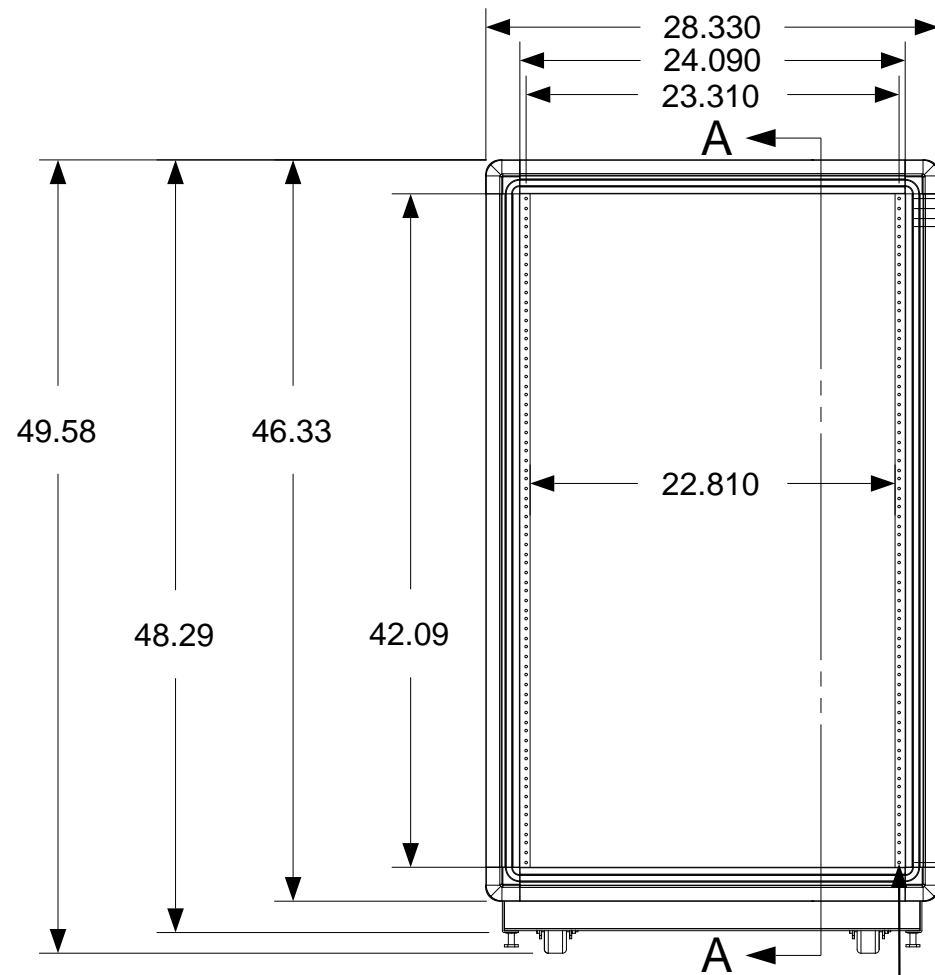
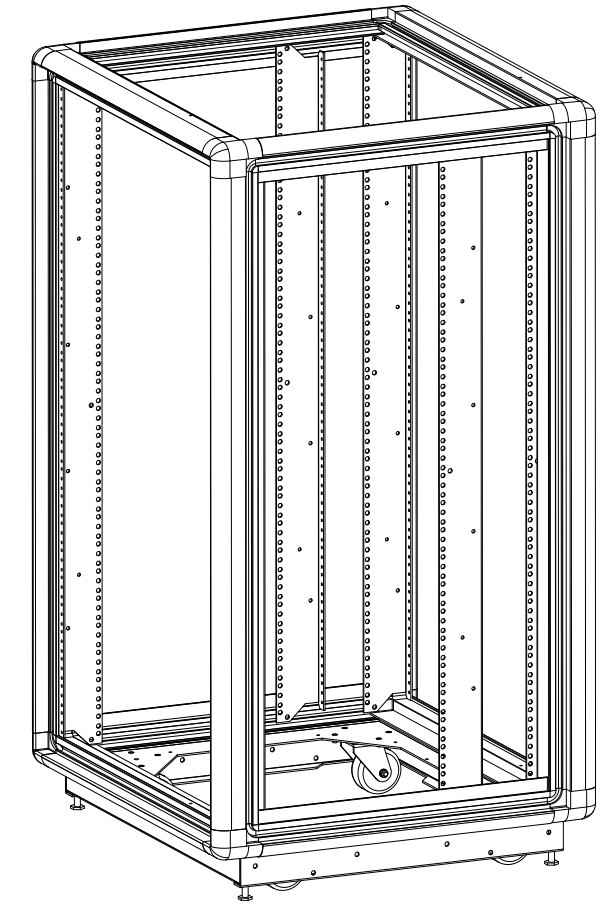
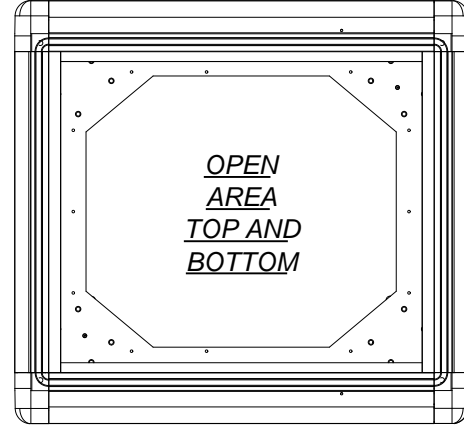
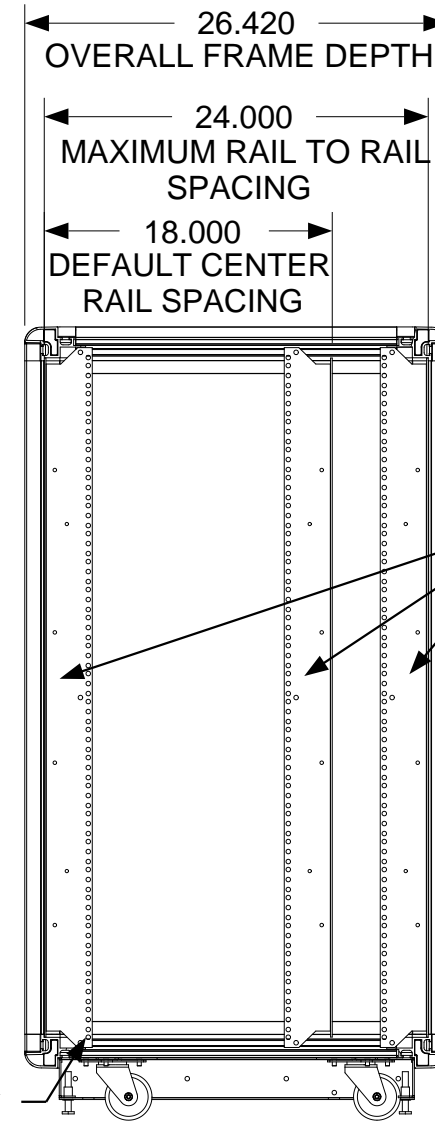


These drawings and specifications are the exclusive property of Martin International Enclosures, Inc. and shall not be copied, reproduced or used for any purpose at all without prior written permission of Martin International Enclosures, Inc. (MIE) except to manufacture for MIE, Inc. the items on the drawings. These drawings are issued in strict confidence.

| REVISION HISTORY |                 |      |          |
|------------------|-----------------|------|----------|
| REV              | DESCRIPTION     | DATE | APPROVED |
| A                | INITIAL RELEASE |      |          |



**FRONT VIEW**



**SIDE SECTION VIEW**

CONTINUOUS EIA HOLE SPACING

FULLY ADJUSTABLE VERTICAL MOUNTING RAILS (3 PAIR)

.281 DIA CLEARANCE HOLES IN REAR VERTICAL RAIL FLANGES  
 .172 DIA MOUNTING HOLE TAPPED 12-24

|   |
|---|
| MATERIAL  |
| TOLERANCES EXCEPT AS NOTED<br>DECIMAL<br>.X = +/- .060<br>.XX = +/- .030<br>.XXX = +/- .010<br>ANGULAR<br>+/- 1/2 DEG |

|   |         |             |     |
|---|---------|-------------|-----|
|   |         |             |     |
| PART NAME   |         |             |     |
| 24U X 24" DEEP; 24" RACKMOUNT EXTRUDED ALUMINUM FRAME |         |             |     |
| SIZE  | DATE    | PART #      | REV |
| B   | 3/15/18 | 422424-TR12 | A   |

|          |      |
|----------|------|
| PROGRAM# | DATE |
| SETBACK= | DATE |

DRAWN BY: JQ  
 APPROVED BY:

|              |             |       |        |
|--------------|-------------|-------|--------|
| SCALE = 1/12 | FINISH: A/R | SHEET | 1 OF 1 |
|--------------|-------------|-------|--------|

NEXT UPPER ASSEMBLY: