

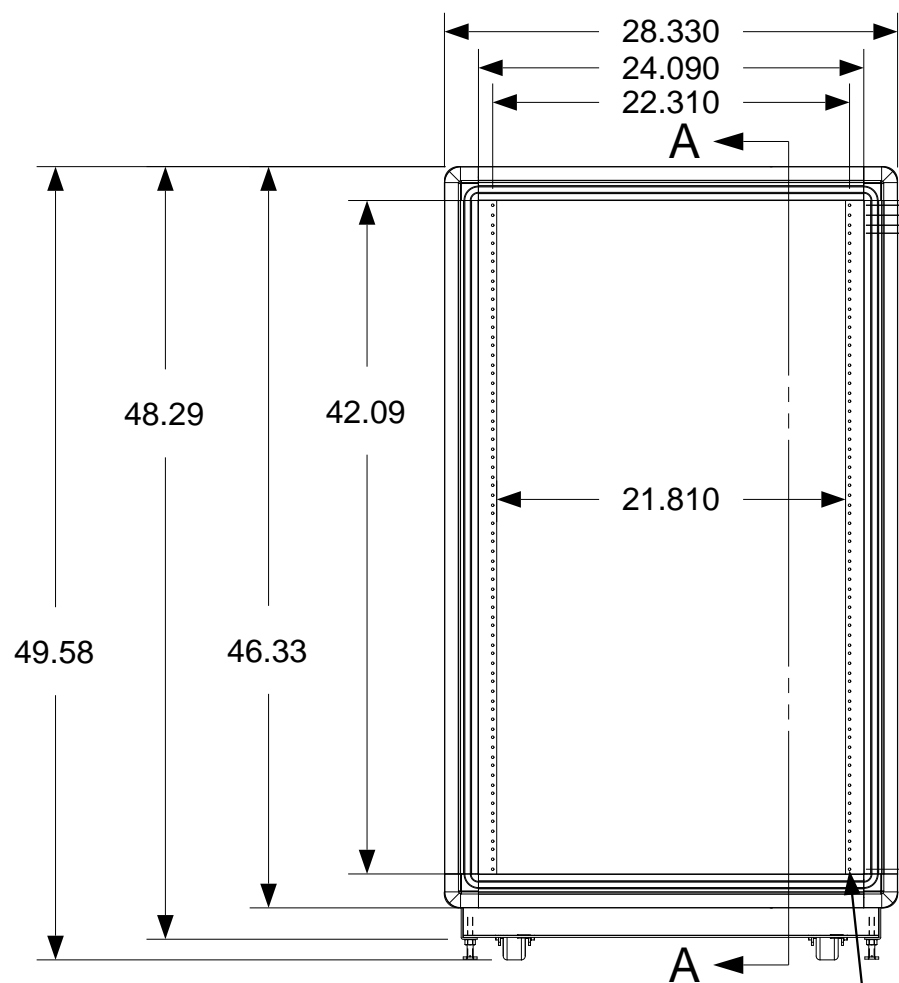
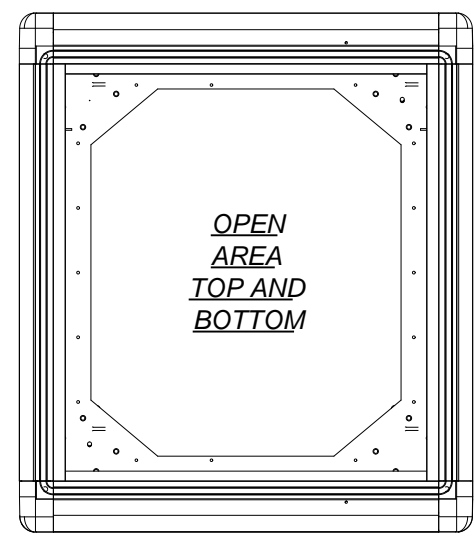
9 8 7 6 5 4 3 2 1

These drawings and specifications are the exclusive property of Martin International Enclosures, Inc. and shall not be copied, reproduced or used for any purpose at all without prior written permission of Martin International Enclosures, Inc. (MIE) except to manufacture for MIE, Inc. the items on the drawings. These drawings are issued in strict confidence.

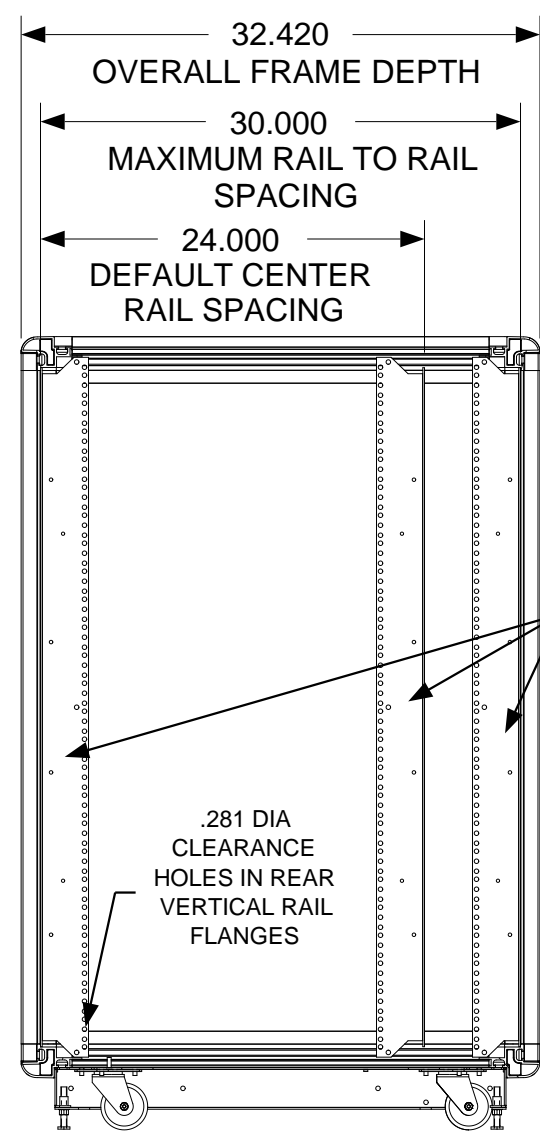
REVISION HISTORY			
REV	DESCRIPTION	DATE	APPROVED
A	INITIAL RELEASE		

F
E
D
C
B
A

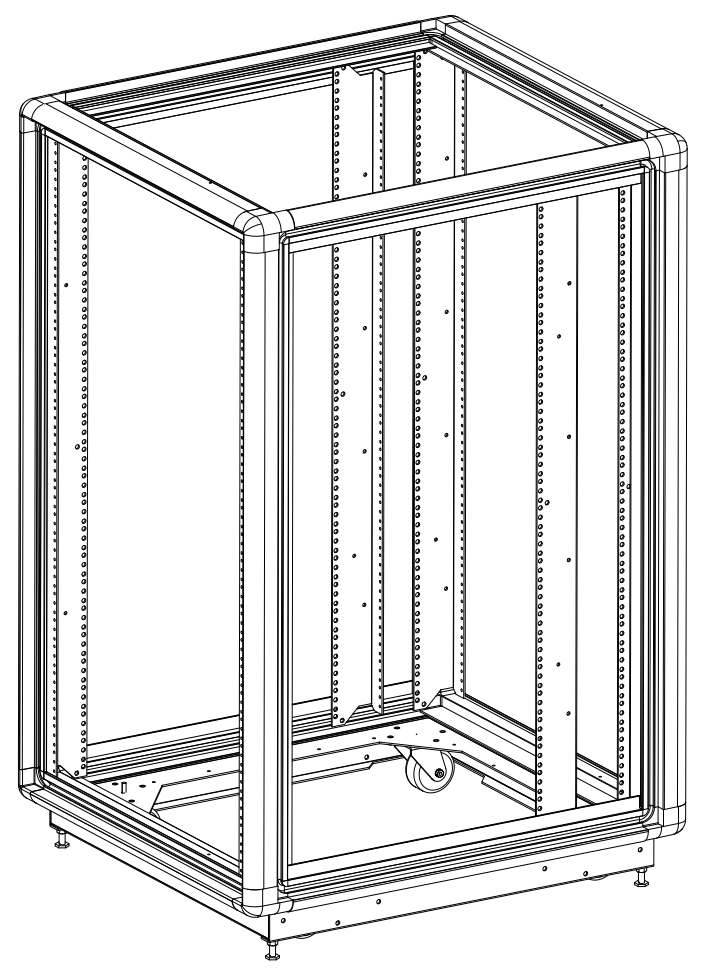
F
E
D
C
B
A



FRONT VIEW



SIDE SECTION VIEW



NOTES:
 1) ALL BEND RADIUS .030.
 2) DIMENSIONS IN BLOCKS ARE CRITICAL TO FUNCTION.
 3) ALL DIMENSIONS ARE OUTSIDE UNLESS NOTED.

ORDER# NEXT UPPER ASSEMBLY:

PROGRAM# DATE
 SETBACK= DATE

MATERIAL
 TOLERANCES EXCEPT AS NOTED
 DECIMAL
 .XX = +/- .020
 .XXX = +/- .010
 ANGULAR
 +/- 1/2 DEG

martin
 INTERNATIONAL ENCLOSURES, INC.
 PART NAME
 24U X 30" DEEP; 23" RACKMOUNT
 EXTRUDED ALUMINUM FRAME

DRAWN BY: JQ
 APPROVED BY:

SIZE B DATE 11/29/17 PART # 422330-TR12 REV A
 SCALE = 1/12 FINISH: A/R SHEET 1 OF 1

9 8 7 6 5 4 3 2 1