

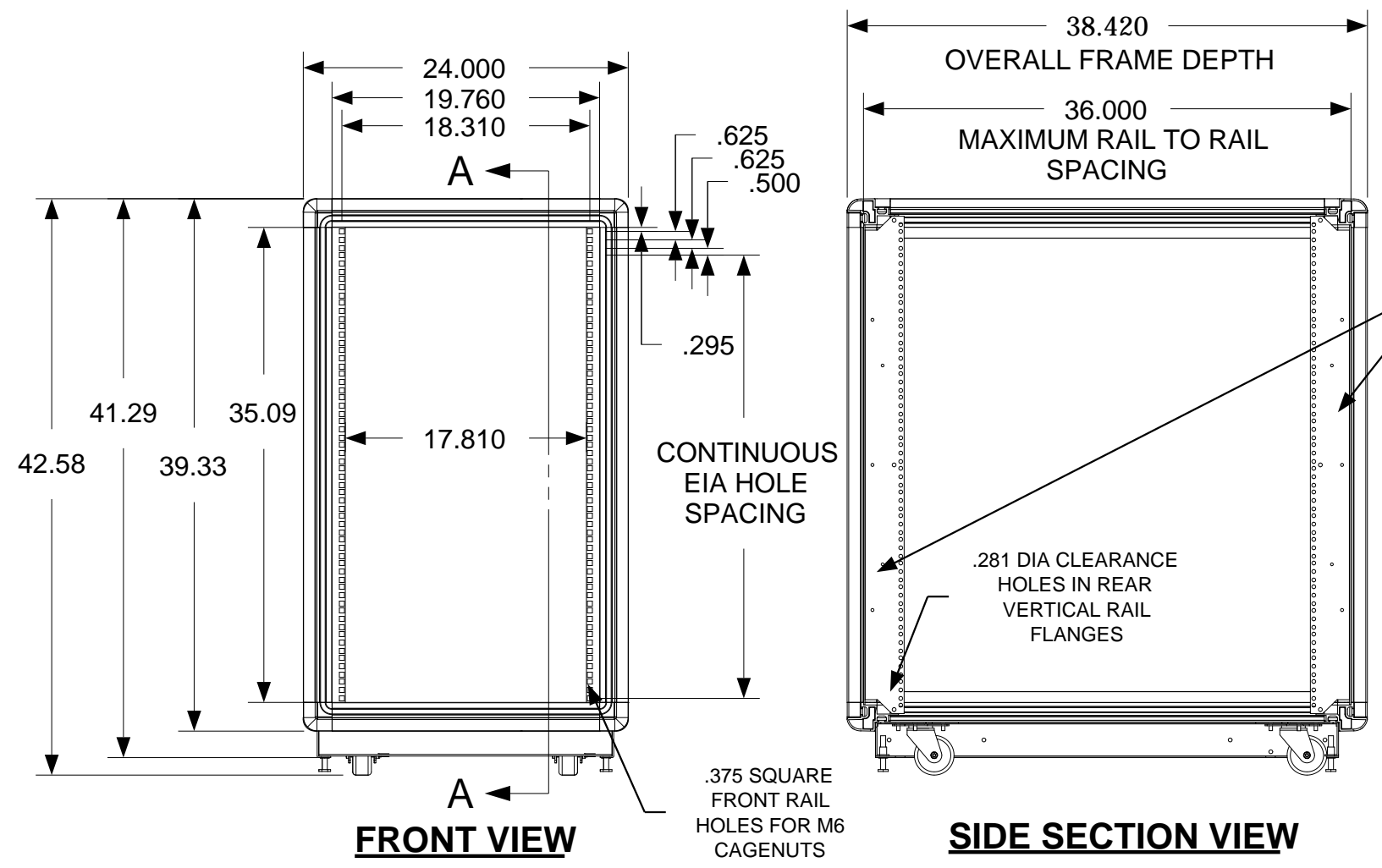
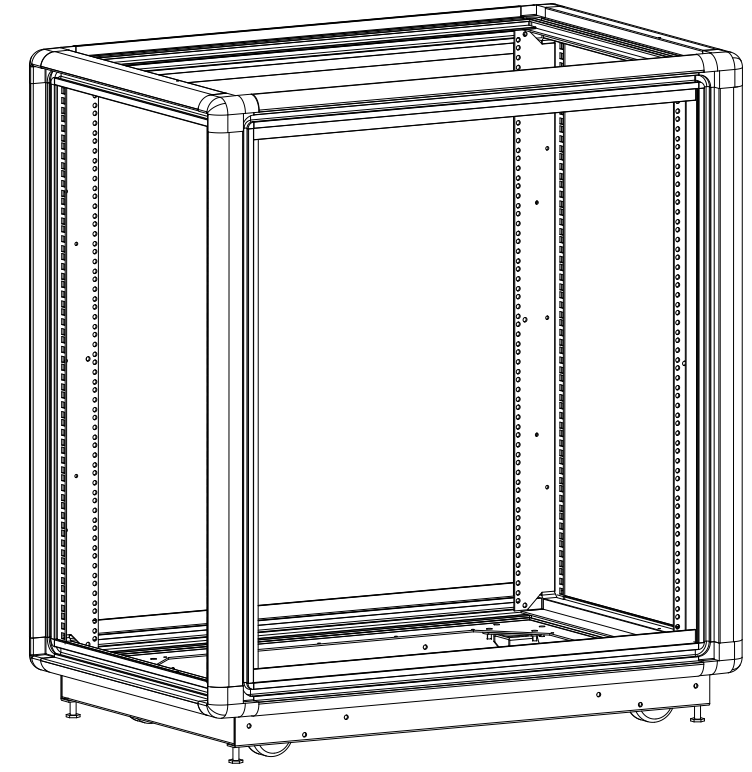
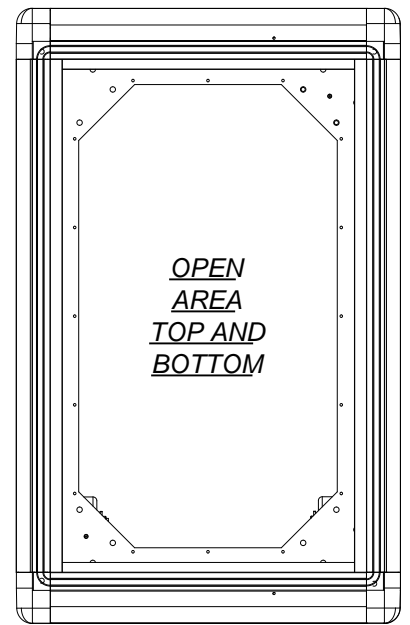
9 8 7 6 5 4 3 2 1

These drawings and specifications are the exclusive property of Martin International Enclosures, Inc. and shall not be copied, reproduced or used for any purpose at all without prior written permission of Martin International Enclosures, Inc. (MIE) except to manufacture for MIE, Inc. the items on the drawings. These drawings are issued in strict confidence.

| REVISION HISTORY | | | |
|------------------|-------------|------|----------|
| REV | DESCRIPTION | DATE | APPROVED |
| | | | |

F
E
D
C
B
A

F
E
D
C
B
A



| ITEM | PART NUMBER | DESCRIPTION | QTY |
|--|-------------|--|--|
| MATERIAL | | | PART NAME 20U X 36" DEEP; 19" RACKMOUNT EXTRUDED ALUMINUM FRAME |
| TOLERANCES EXCEPT AS NOTED DECIMAL .XX = +/- .020 .XXX = +/- .010 ANGULAR +/- 1/2 DEG | | | |
| DRAWN BY: SMM | | SIZE B DATE 7/30/13 PART # 352036-2L | REV |
| APPROVED BY: | | FINISH: A/R | SHEET 1 OF 1 |

9 8 7 6 5 4 3 2 1