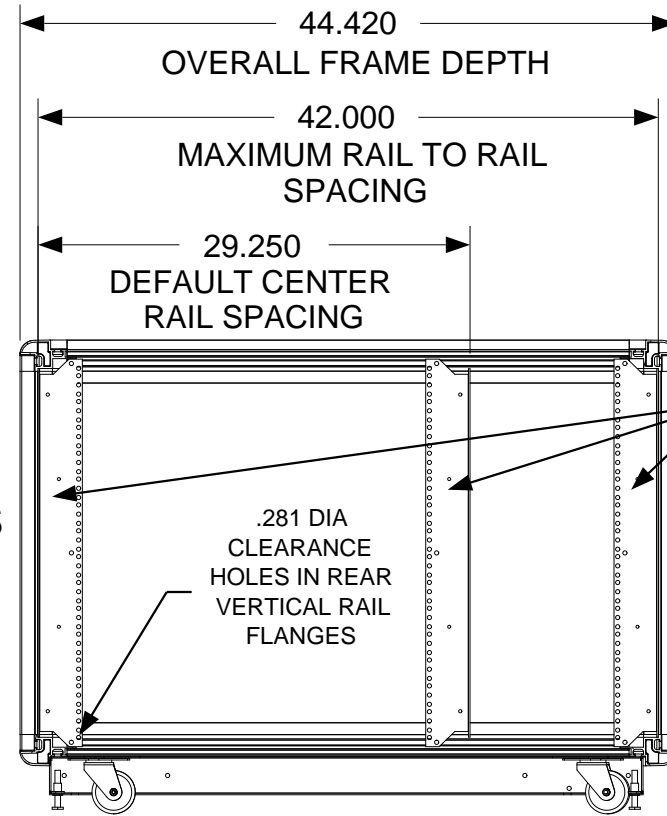
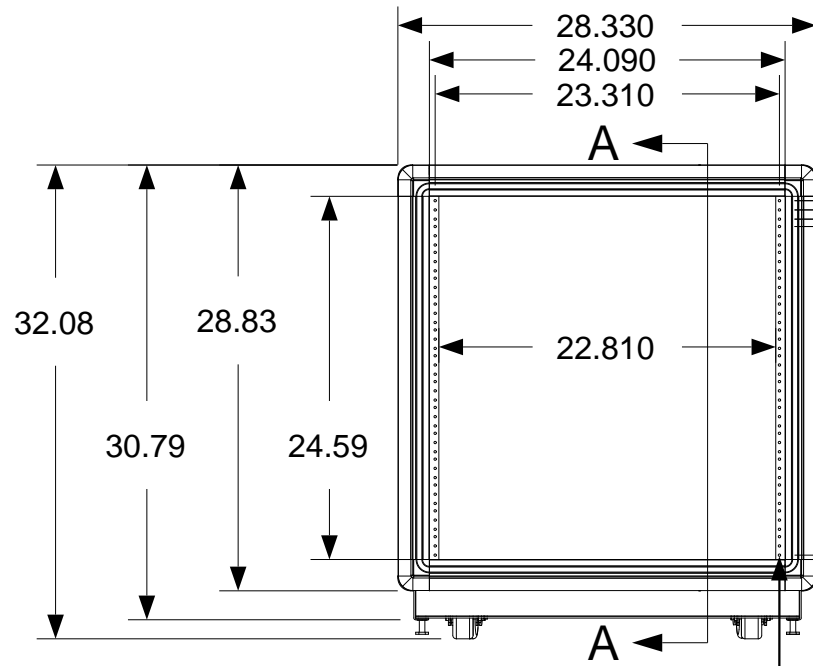
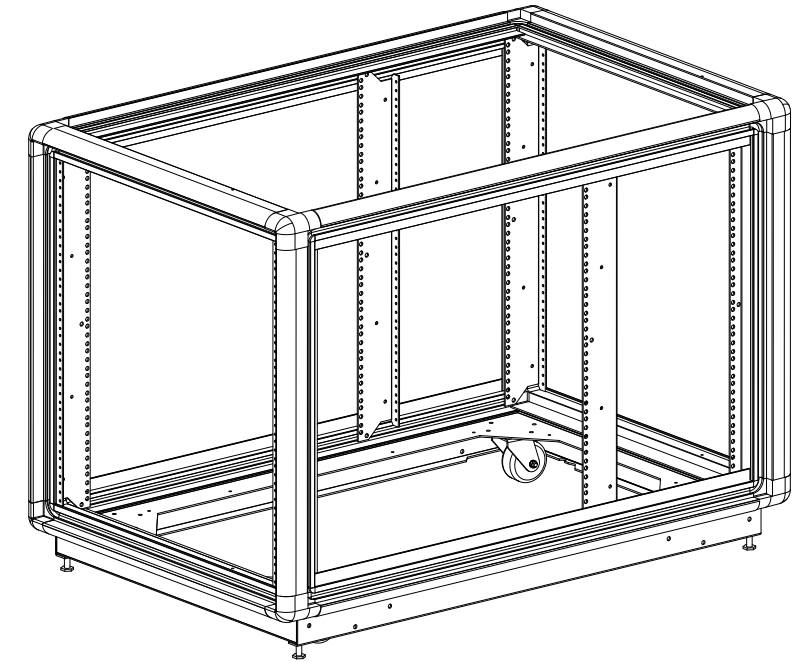
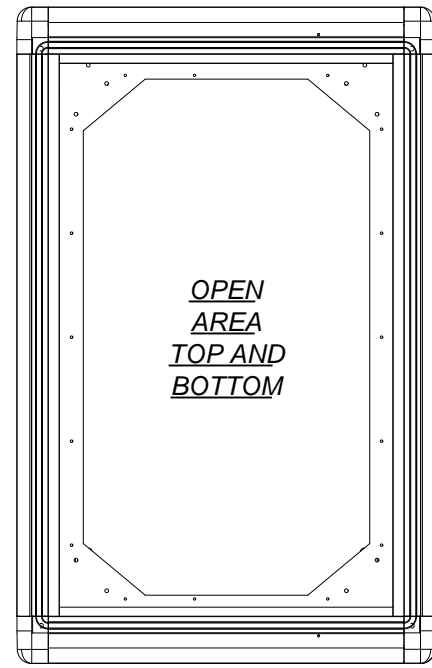


These drawings and specifications are the exclusive property of Martin International Enclosures, Inc. and shall not be copied, reproduced or used for any purpose at all without prior written permission of Martin International Enclosures, Inc. (MIE) except to manufacture for MIE, Inc. the items on the drawings. These drawings are issued in strict confidence.

REVISION HISTORY			
REV	DESCRIPTION	DATE	APPROVED
A	INITIAL RELEASE		



FULLY ADJUSTABLE
VERTICAL MOUNTING
RAILS
(3 PAIR)

CONTINUOUS
EIA HOLE
SPACING

FRONT VIEW

SIDE SECTION VIEW

.159 DIA
MOUNTING HOLE
TAPPED 10-32

MATERIAL			
TOLERANCES EXCEPT AS NOTED DECIMAL .X = +/- .060 .XX = +/- .030 .XXX = +/- .010 ANGULAR +/- 1/2 DEG			
PART NAME		14U X 42" DEEP; 24" RACKMOUNT EXTRUDED ALUMINUM FRAME	
SIZE	DATE	PART #	REV
B	3/14/18	242442-TR10	A
DRAWN BY: JQ		SCALE = 1/13	
APPROVED BY:		FINISH: A/R	SHEET 1 OF 1

NEXT UPPER ASSEMBLY:

PROGRAM#	DATE
SETBACK=	DATE