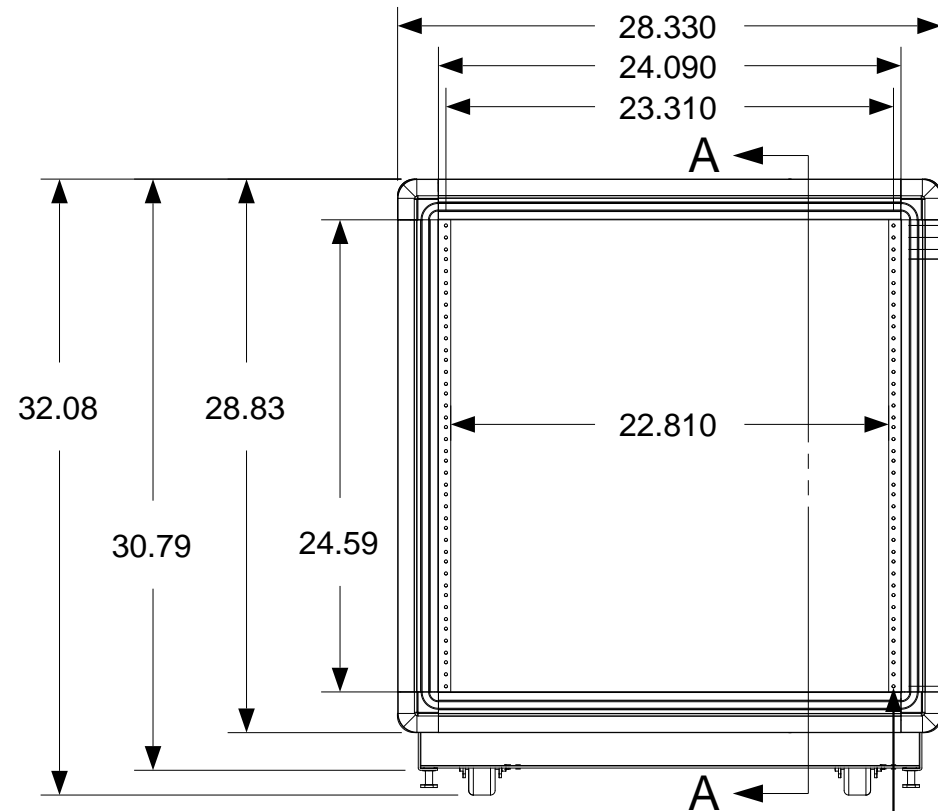
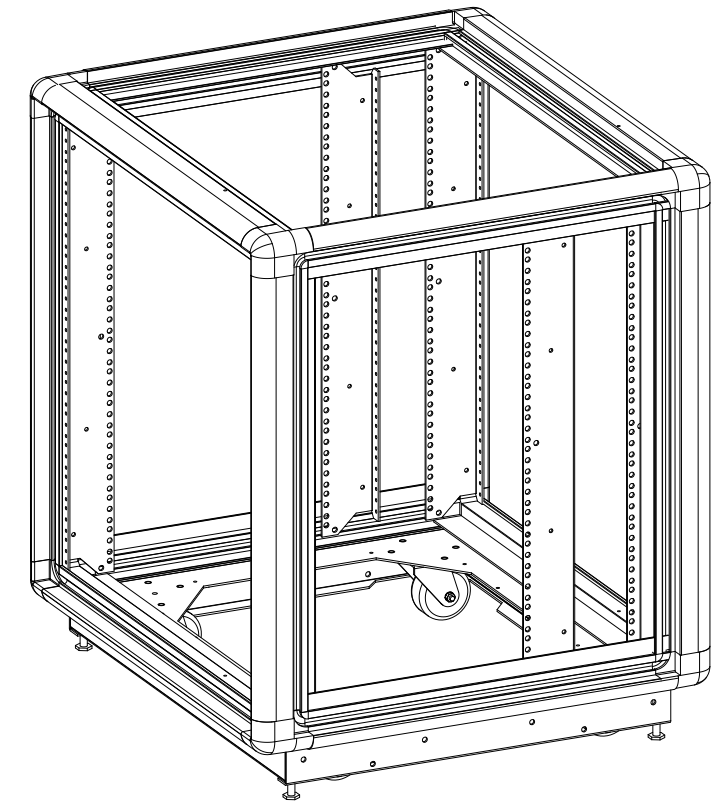
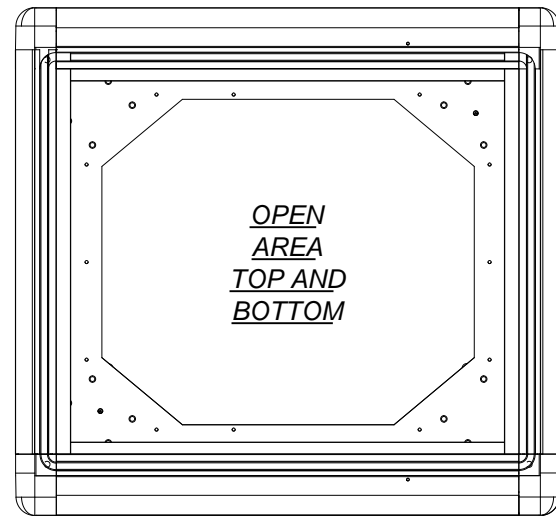
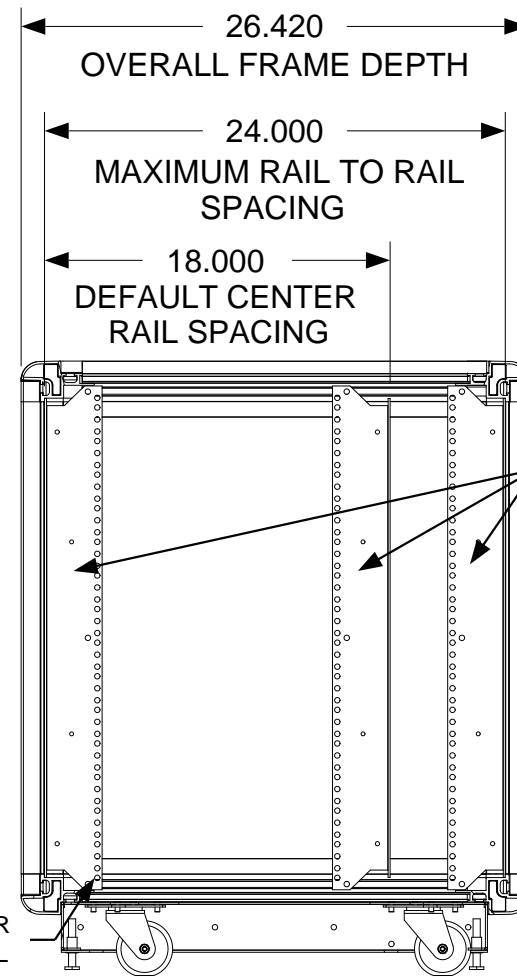


These drawings and specifications are the exclusive property of Martin International Enclosures, Inc. and shall not be copied, reproduced or used for any purpose at all without prior written permission of Martin International Enclosures, Inc. (MIE) except to manufacture for MIE, Inc. the items on the drawings. These drawings are issued in strict confidence.

REVISION HISTORY			
REV	DESCRIPTION	DATE	APPROVED
A	INITIAL RELEASE		



FRONT VIEW



SIDE SECTION VIEW

.159 DIA MOUNTING HOLE TAPPED 10-32

MATERIAL

TOLERANCES EXCEPT AS NOTED
DECIMAL
.X = +/- .060
.XX = +/- .030
.XXX = +/- .010
ANGULAR
+/- 1/2 DEG

martin
INTERNATIONAL ENCLOSURES, INC.

PART NAME
14U X 24" DEEP; 24" RACKMOUNT EXTRUDED ALUMINUM FRAME

SIZE B	DATE 3/13/18	PART # 242424-TR10	REV A
-----------	-----------------	-----------------------	----------

PROGRAM#	DATE	DRAWN BY: JQ
SETBACK=	DATE	APPROVED BY:

SCALE = 1/10	FINISH: A/R	SHEET 1 OF 1
--------------	-------------	--------------

NEXT UPPER ASSEMBLY: