

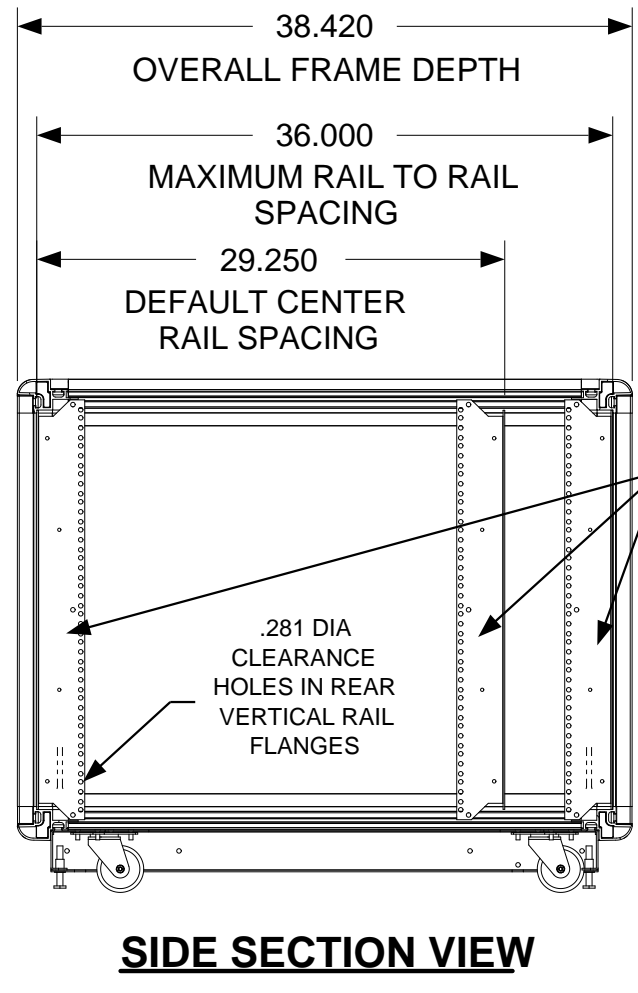
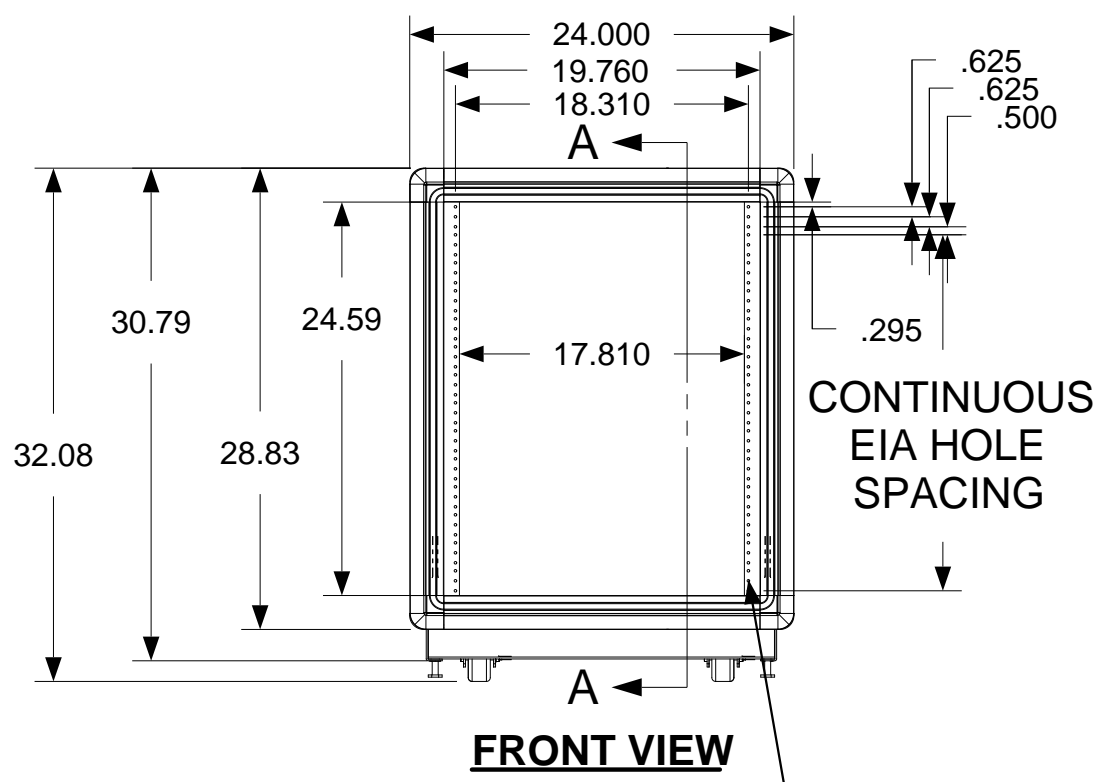
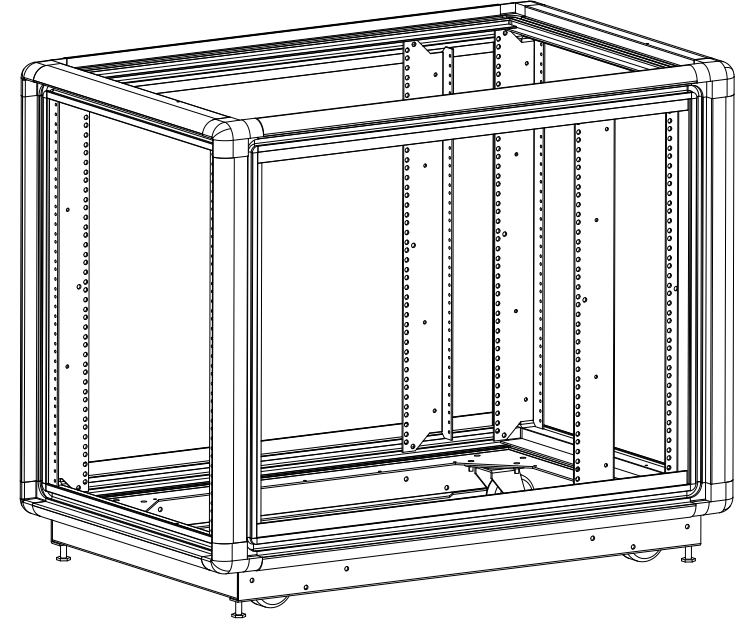
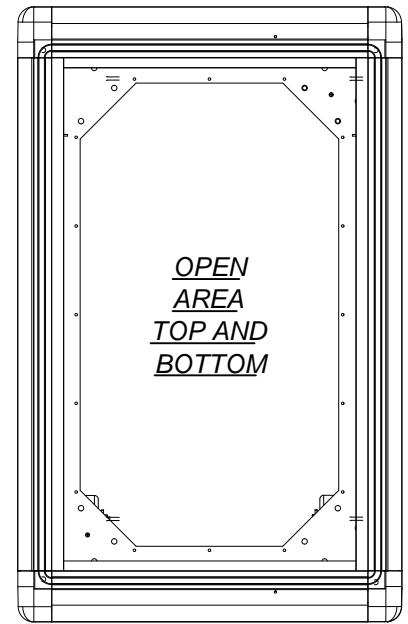
9 8 7 6 5 4 3 2 1

These drawings and specifications are the exclusive property of Martin International Enclosures, Inc. and shall not be copied, reproduced or used for any purpose at all without prior written permission of Martin International Enclosures, Inc. (MIE) except to manufacture for MIE, Inc. the items on the drawings. These drawings are issued in strict confidence.

REVISION HISTORY			
REV	DESCRIPTION	DATE	APPROVED
A	INITIAL RELEASE		

F  
E  
D  
C  
B  
A

F  
E  
D  
C  
B  
A



NOTES:  
1) ALL BEND RADIUS .030.  
2) DIMENSIONS IN BLOCKS ARE CRITICAL TO FUNCTION.  
3) ALL DIMENSIONS ARE OUTSIDE UNLESS NOTED.

MATERIAL

TOLERANCES EXCEPT AS NOTED  
DECIMAL  
.XX = +/- .020  
.XXX = +/- .010  
ANGULAR  
+/- 1/2 DEG

**martin**  
INTERNATIONAL ENCLOSURES, INC.

PART NAME  
14U X 36" DEEP; 19" RACKMOUNT  
EXTRUDED ALUMINUM FRAME

SIZE B	DATE 9/29/17	PART # 242036-TR12	REV A
-----------	-----------------	-----------------------	----------

ORDER#	NEXT UPPER ASSEMBLY:	PROGRAM#	DATE	DRAWN BY: JQ	SCALE = 1/12	FINISH: A/R	SHEET	1 OF 1
		SETBACK=	DATE	APPROVED BY:				

9 8 7 6 5 4 3 2 1