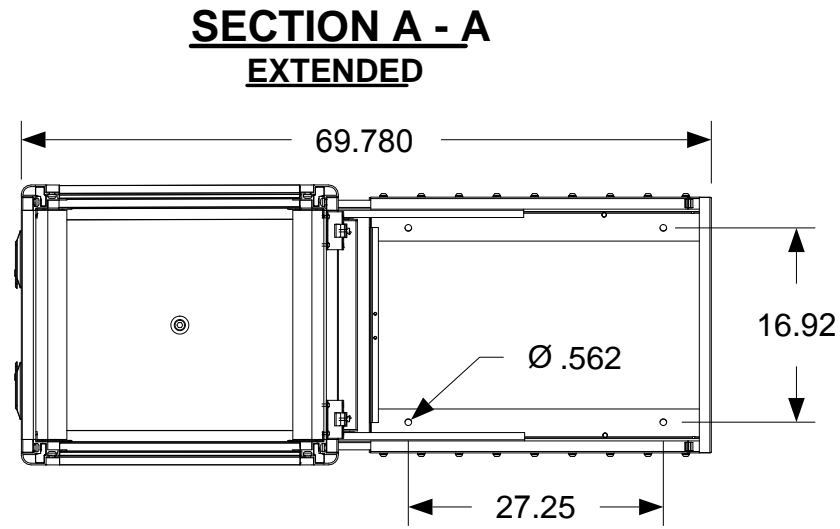
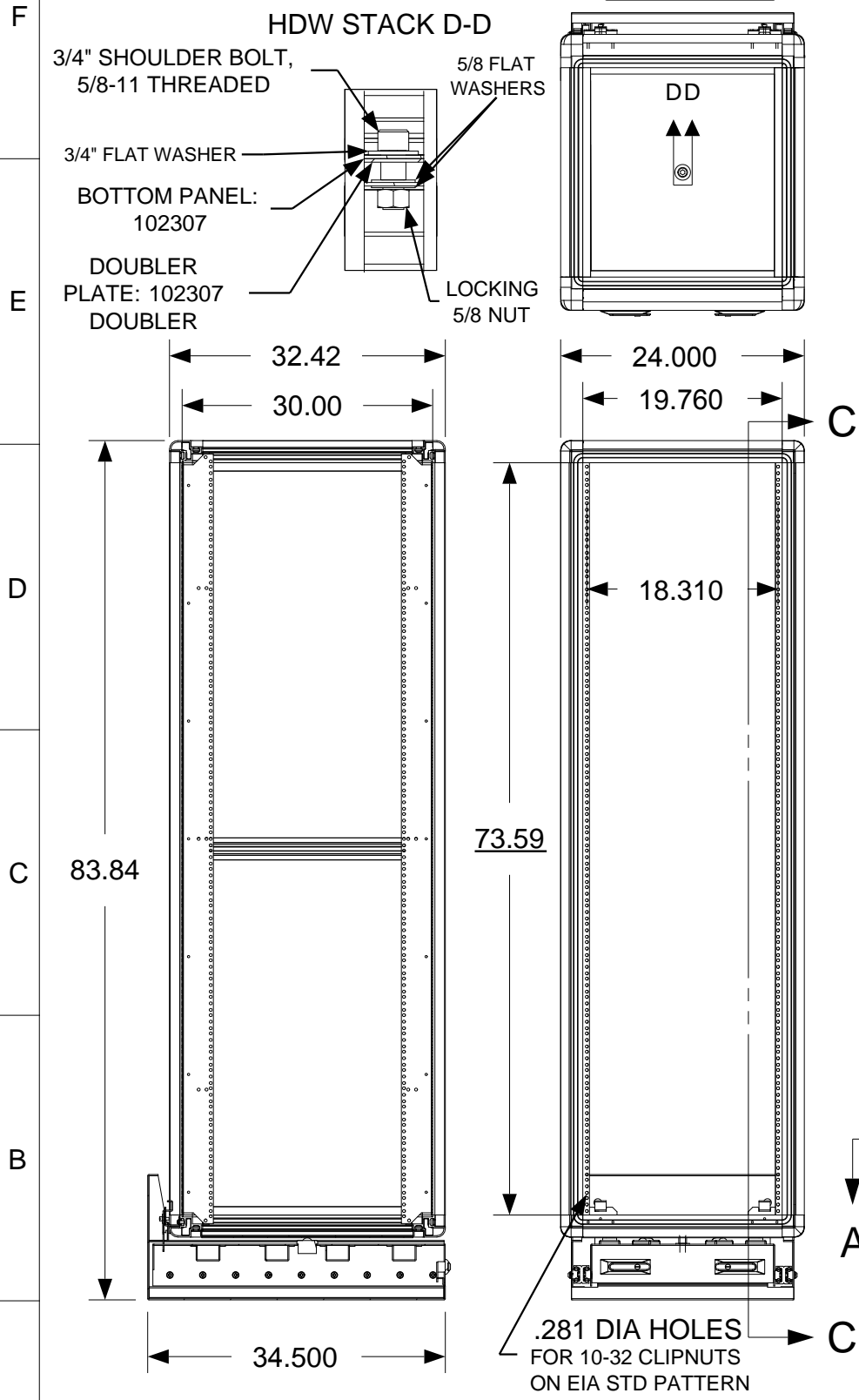
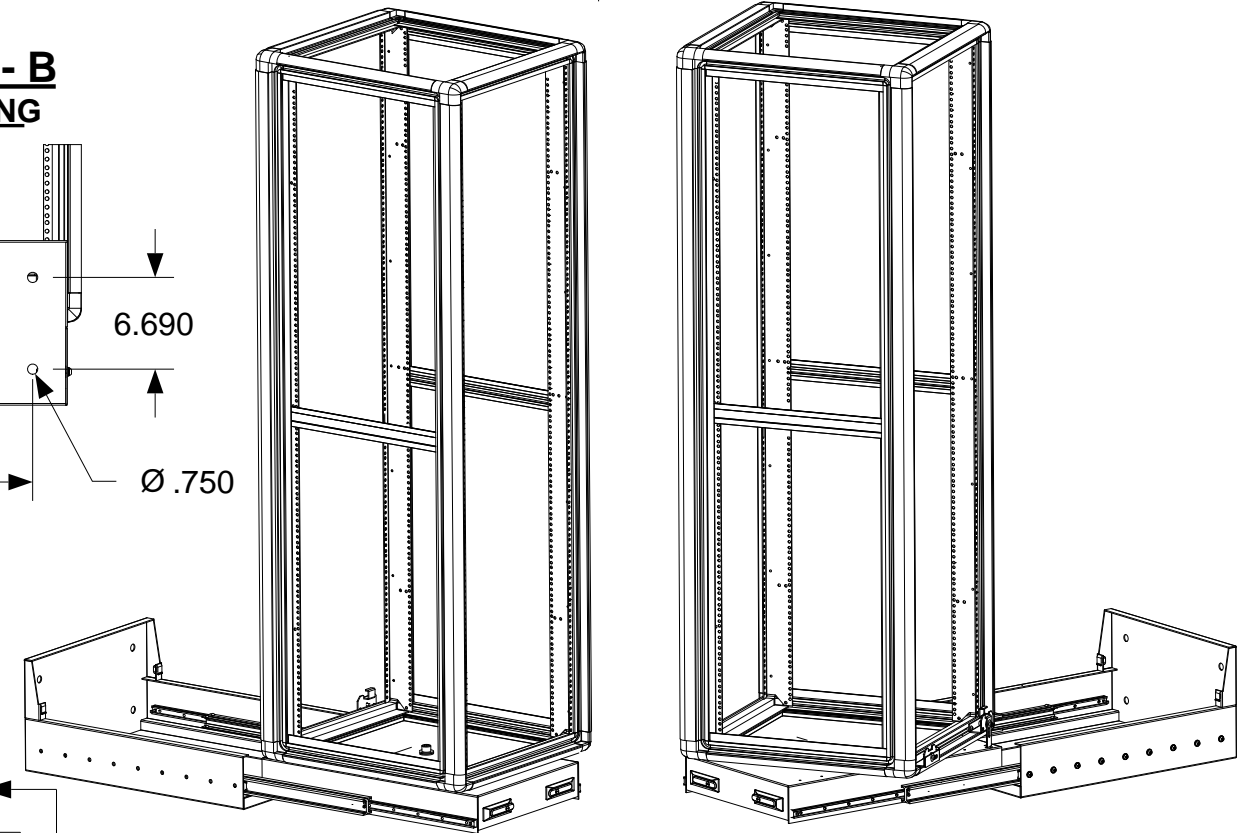
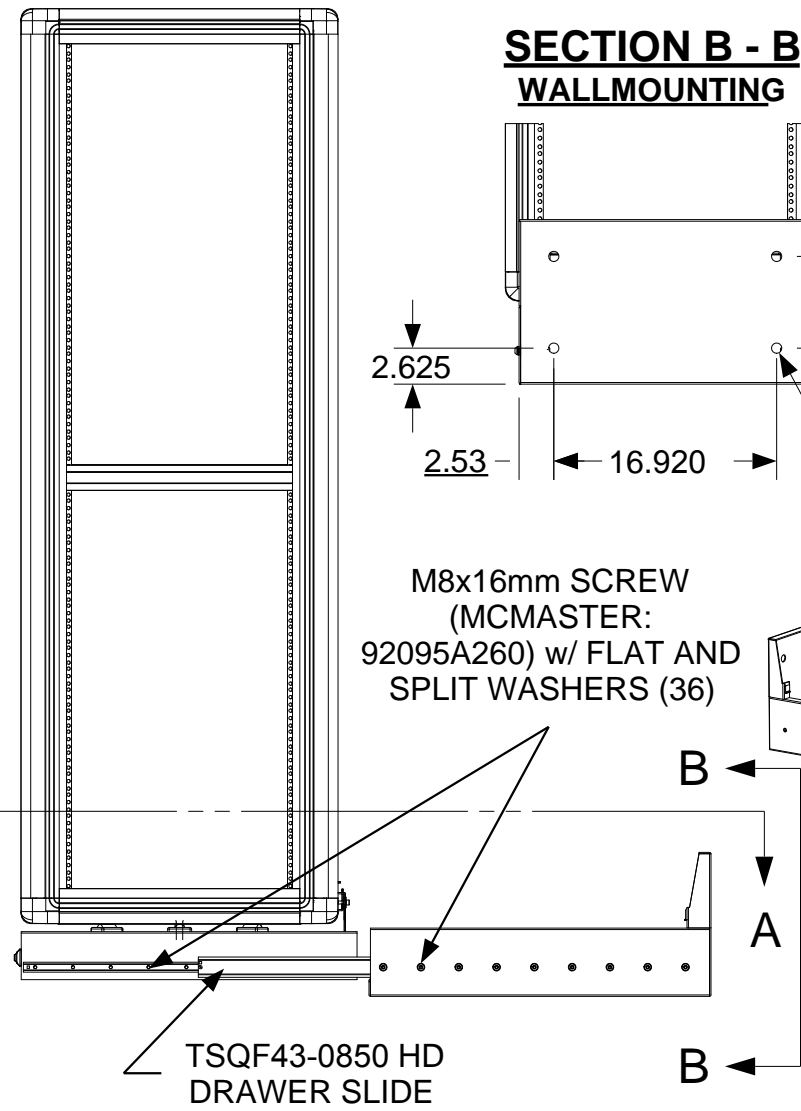
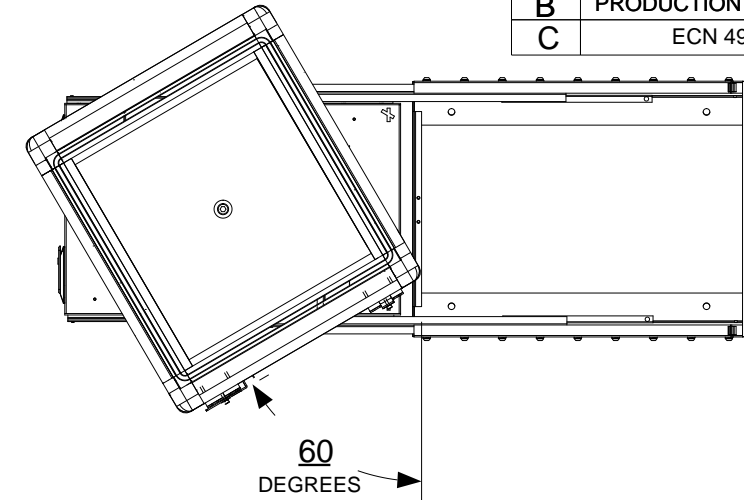


These drawings and specifications are the exclusive property of Martin International Enclosures, Inc. and shall not be copied, reproduced or used for any purpose at all without prior written permission of Martin International Enclosures, Inc. (MIE) except to manufacture for MIE, Inc. the items on the drawings. These drawings are issued in strict confidence.

REVISION HISTORY			
REV	DESCRIPTION	DATE	APPROVED
A	PRELIMINARY RELEASE	2/24/11	mb
B	PRODUCTION RELEASE	5/27/11	mb
C	ECN 494	12/2/16	PBM



**TOP VIEW EXTENDED AND ROTATED**



Item	Part Number	Description	Qty
MATERIAL			
PART NAME		42U EXTRUDED ALUMINUM FRAME, 19" RACKMOUNT, 30" DEPTH ON A PULL OUT AND SWIVEL BASE	
SIZE	DATE	PART #	REV
B	5/25/17	MSV732030	A
DRAWN BY: SM		APPROVED BY:	
SCALE = 1/3		FINISH: A/R	SHEET 1 of 1

**SECTION C - C**      **FRONT VIEW**      **SIDE VIEW, FULLY EXTENDED**

ORDER#	NEXT UPPER ASSEMBLY:	PROGRAM#	DATE
		SETBACK=	DATE