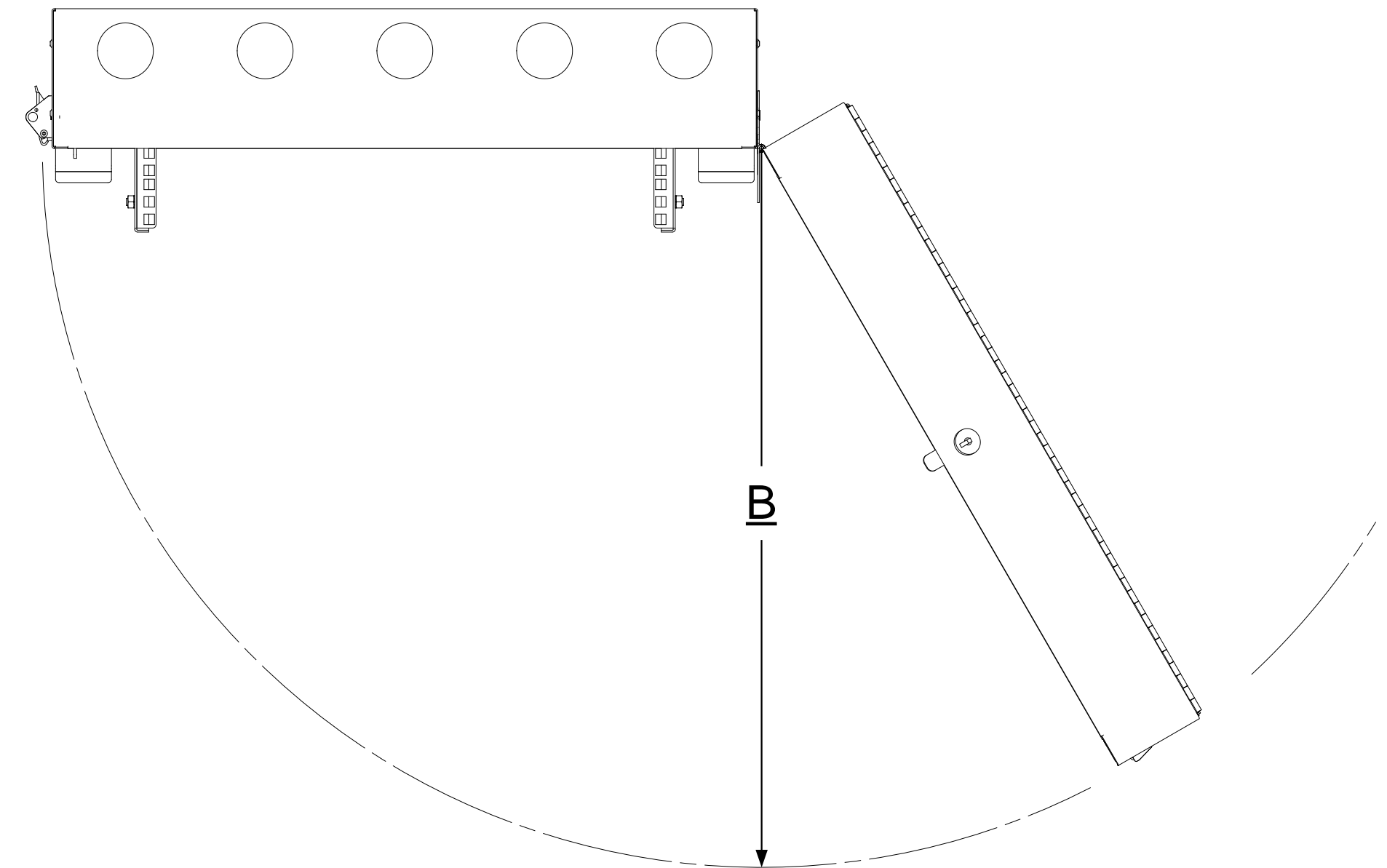
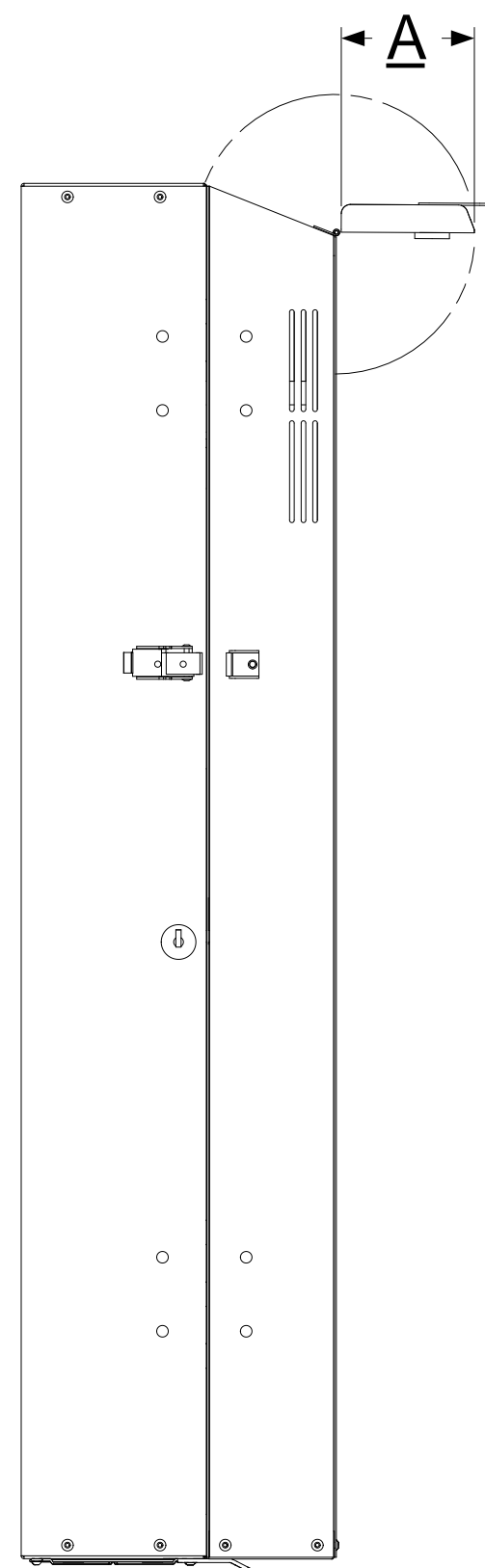


TOP VIEW

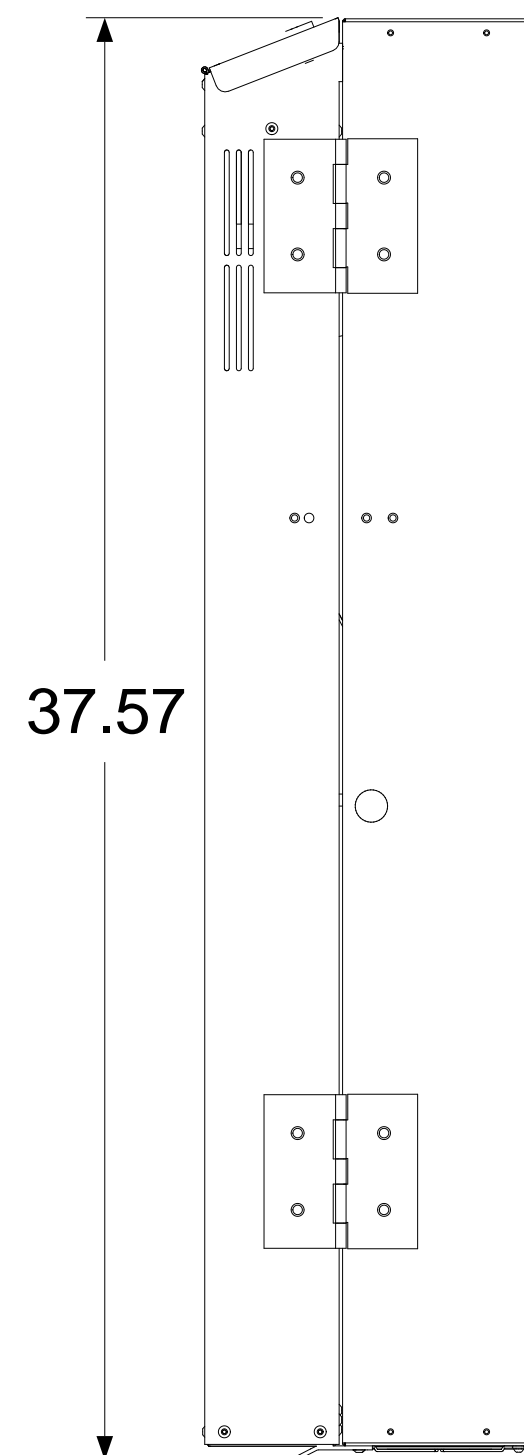
.87 AND 1.87
ELECTRICAL KNOCKOUTS
5 PLACES



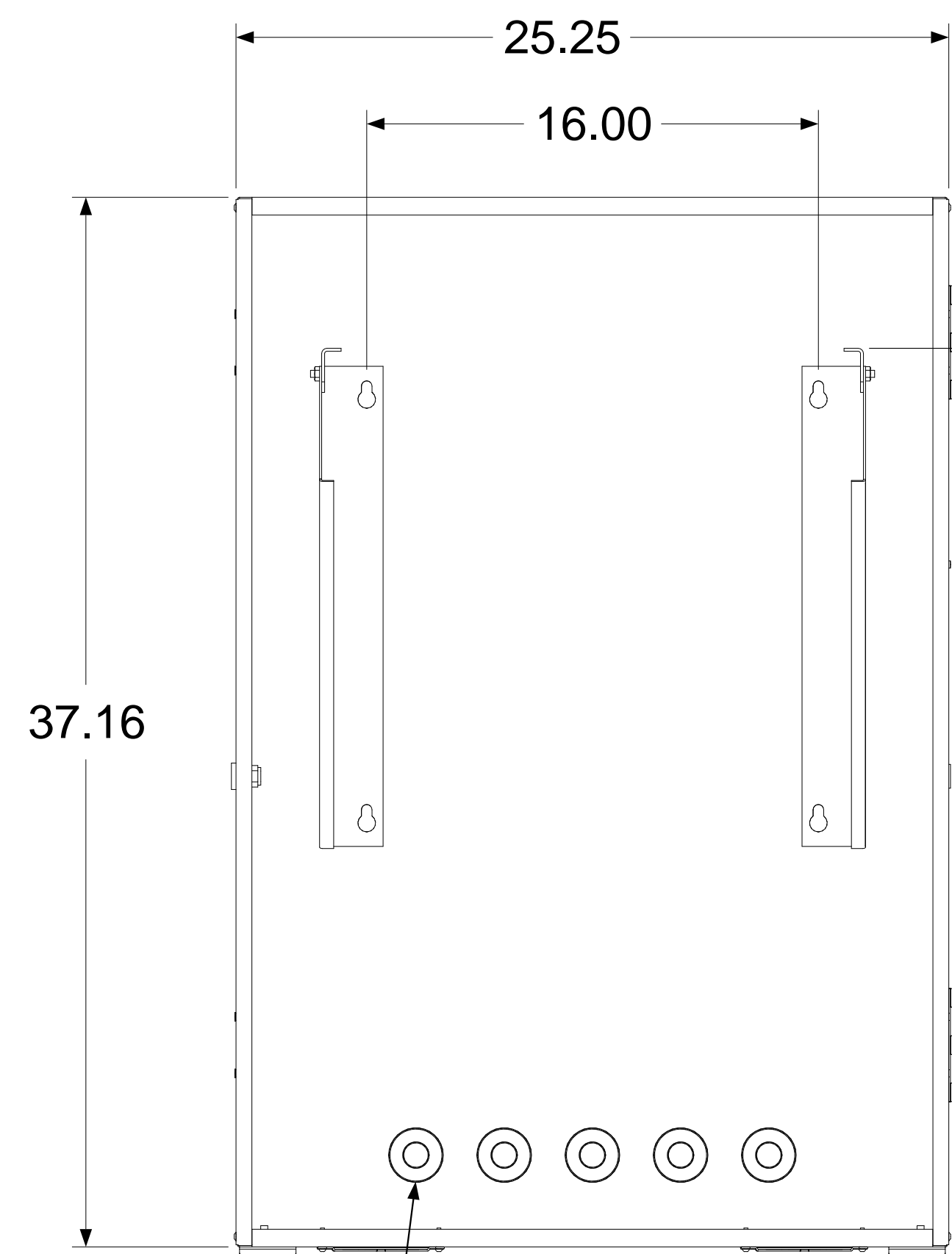
**FRONT COVER SWING IS REVERSIBLE
TOP VIEW**



SIDE VIEW



FRONT VIEW

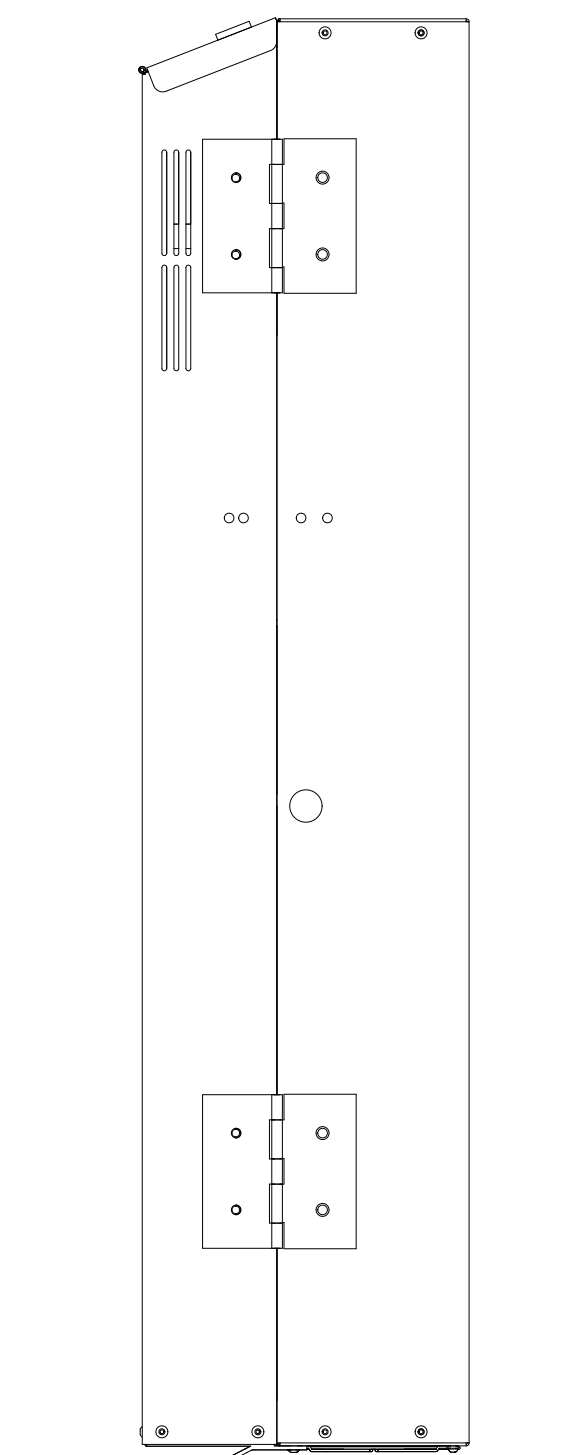


**FRONT VIEW
BACKPAN**

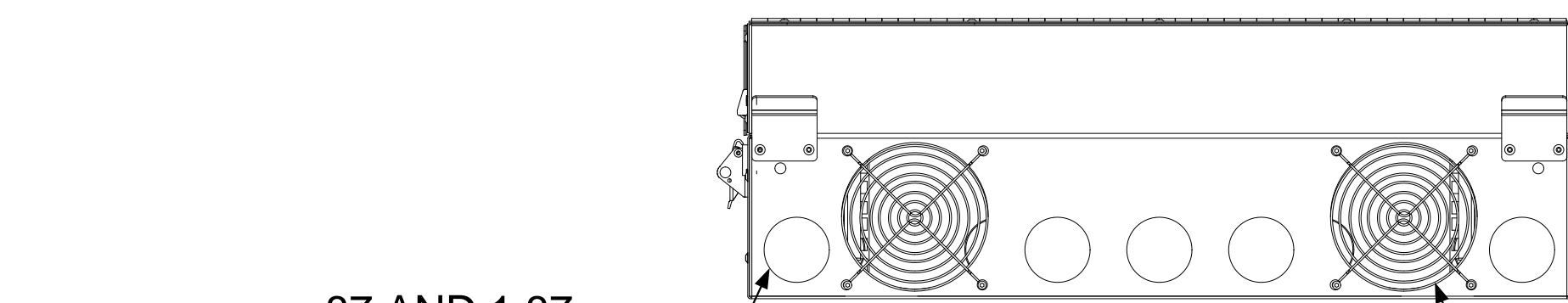
.87 AND 1.87
ELECTRICAL KNOCKOUTS
5 PLACES

5.35 THRU 8.35
IN 1.00 INCREMENTS

RACKRAIL IS
ADJUSTABLE FROM
31.82 THRU 28.82
IN 1.00 INCREMENTS



SIDE VIEW



BOTTOM VIEW

.87 AND 1.87
ELECTRICAL KNOCKOUTS
5 PLACES

4.5 FAN MOUNTING WITH GUARDS
(FANS NOT INCLUDED)

PART #	"A"	"B"	"C"	RACKING HEIGHT/ RACK SPACES	TOP COVER	FINISH
VWM-4-30-L	3.73	25.73	3.50	7.0 / 4SP	LEXAN	BLACK
VWM-6-30-L	7.47	26.42	7.00	10.5 / 6SP	LEXAN	BLACK
VWM-8-30-L	11.24	27.54	10.50	14 / 8SP	LEXAN	BLACK
VWM-4-30-S	3.73	25.73	3.50	7.0 / 4SP	SOLID STEEL	BLACK
VWM-6-30-S	7.47	26.42	7.00	10.5 / 6SP	SOLID STEEL	BLACK
VWM-8-30-S	11.24	27.54	10.50	14 / 8SP	SOLID STEEL	BLACK