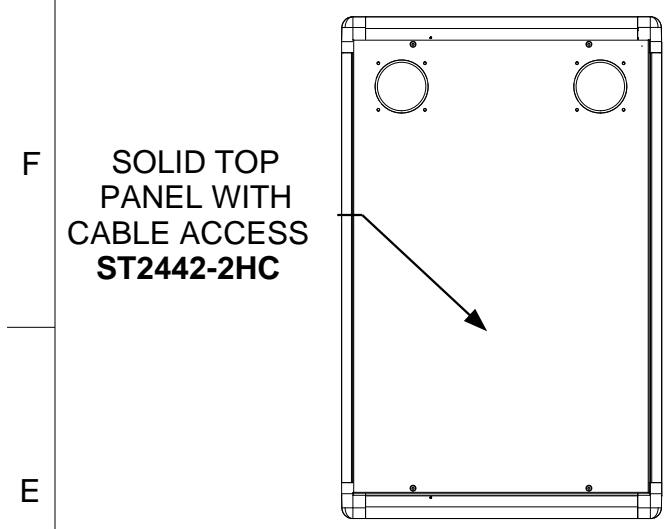


9 8 7 6 5 4 3 2 1

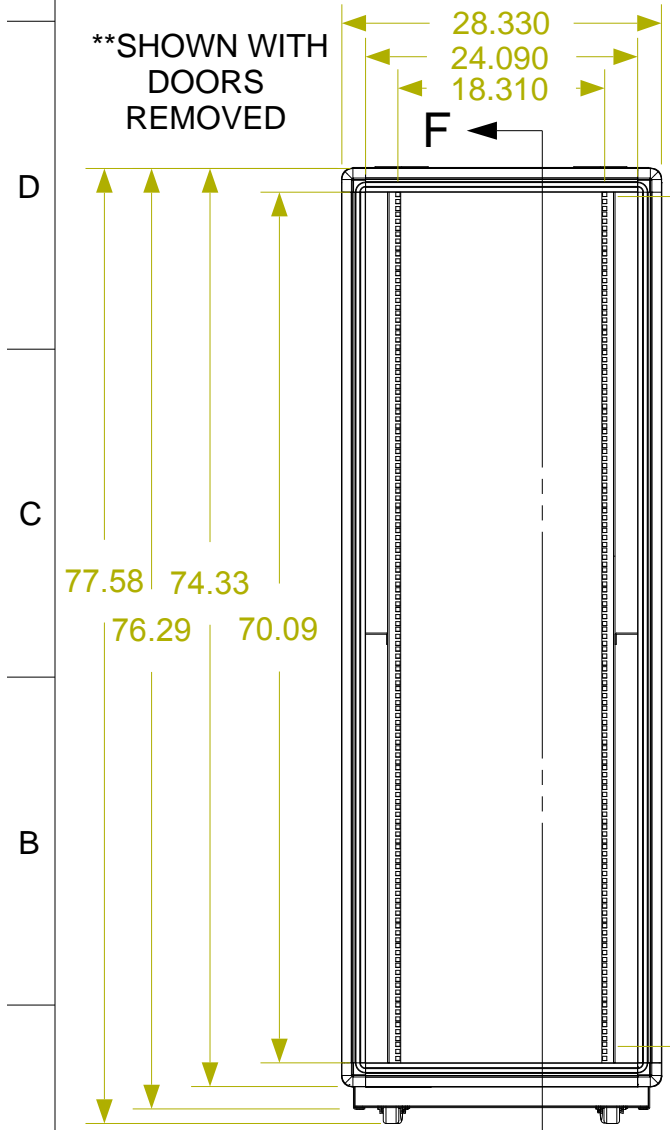
REVISION HISTORY			
REV	DESCRIPTION	DATE	APPROVED
A	INITIAL RELEASE		

These drawings and specifications are the exclusive property of Martin International Enclosures, Inc. and shall not be copied, reproduced or used for any purpose at all without prior written permission of Martin International Enclosures, Inc. (MIE) except to manufacture for MIE, Inc. the items on the drawings. These drawings are issued in strict confidence.

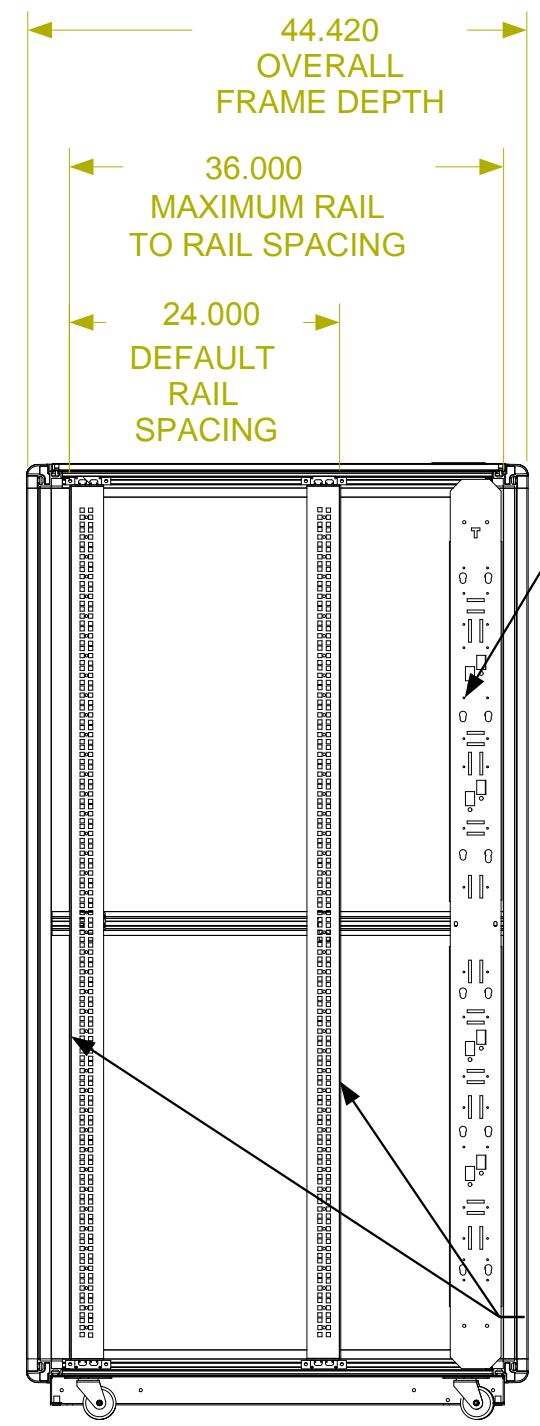
**NOTES:**  
 - MAXIMUM RAIL SPACING CAN ONLY BE ACHIEVED BY REMOVING LACING PANEL  
 - 19" RACKMOUNT AREA CAN BE JUSTIFIED TO THE LEFT OR RIGHT



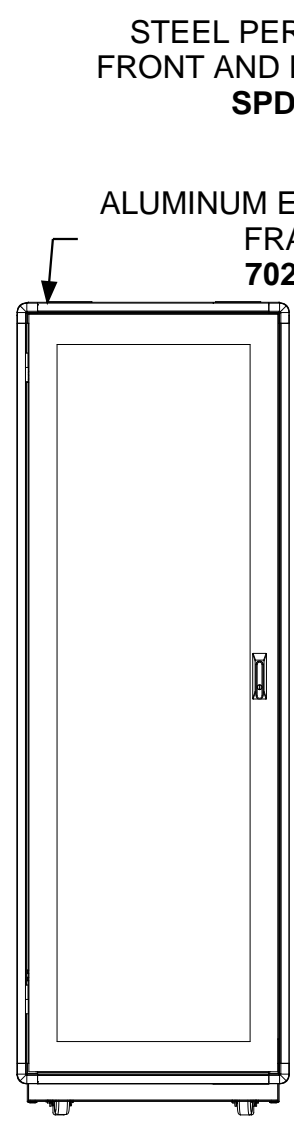
**TOP VIEW**



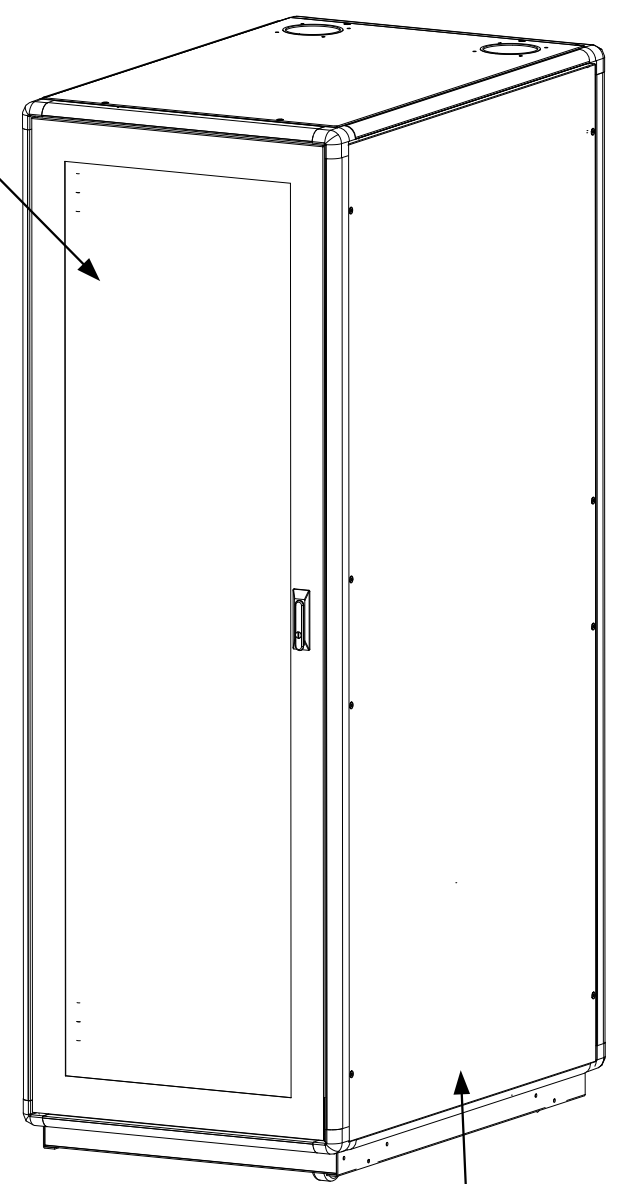
**FRONT VIEW**



**SIDE SECTIONAL VIEW**



**REAR VIEW**



**EXTERNALLY REMOVABLE SIDE PANELS SP7042**

MATERIAL
TOLERANCES EXCEPT AS NOTED DECIMAL .XX = +/- .020 .XXX = +/- .010 ANGULAR +/- 1/2 DEG
DRAWN BY: SMM
APPROVED BY:

PART NAME			
<b>40U EXTRUDED ALUMINUM FRAME,          19" RACKMOUNT, 42" DEPTH</b>			
SIZE	DATE	PART #	REV
B	10/24/16	MET702442	

ORDER#	NEXT UPPER ASSEMBLY:	PROGRAM#	DATE	DRAWN BY: SMM	SCALE = 1/4	FINISH: A/R	SHEET	1 OF 1
		SETBACK=	DATE	APPROVED BY:				

9 8 7 6 5 4 3 2 1